



# Operator's Manual LAWN EDGER 79 cc, 4 Cycle

MODEL No. P-WLE-0799-F2N

## Look inside for:

	Page
Safety Definitions	1
Important Safety Information	2-4
Product Specifications	5
Parts & Features	5
Assembly	6
Engine Preparation	7-8
Operation	8-10
Maintenance	11-15
Troubleshooting	16
Technical Service	17
Warranty	17-20
Español	22



## IMPORTANT:

Thank you for purchasing this Powermate® Edger.

This manual provides complete instructions for safely operating and maintaining your Edger. Read and save these instructions. Refer to this manual each time before using your Edger.

## Record the following for future reference:

**Mfg. Date Code:** \_\_\_\_\_

**Date of Purchase:** Attach a copy of your sales receipt.

**Consumer Toll Free Number:** 1-800-737-2112

## WARNING

This product contains one or more chemicals known to the State of California to cause cancer and birth defects or other reproductive harm. Wash hands after handling.



If you have a question or problem...

**CALL TOLL FREE: 1-800-737-2112**




**KEEP THIS MANUAL FOR FUTURE REFERENCE**

# Safety Definitions

• Save these instructions











## Safety Alert Symbols

The following symbols are used on the product and in this manual to alert the operator of potential safety hazards. Read them carefully, and understand their meaning.








 <b>DANGER</b>	Indicates an imminently hazardous situation which, if not avoided, will result in death or serious injury.
 <b>WARNING</b>	Indicates a potentially hazardous situation which, if not avoided, could result in death or serious injury.
 <b>CAUTION</b>	Indicates a potentially hazardous situation which, if not avoided, may result in minor/moderate injury or equipment/property damage.

The following symbols can be found on your edger. Carefully read and understand their meaning.

## Safety Warning Symbols

	Indicates WARNING, DANGER, or CAUTION.		Wear eye protection complying with ANSI Z87.1 and hearing protection.
	Read operator's manual before operating this machine. Failure to follow directions could result in serious injury.		Disconnect spark plug wire when not in use or before servicing, cleaning, or performing maintenance on the unit.
	Thrown objects. Remove all rocks, stones, and foreign objects which could be thrown by machine		Engine exhaust contains carbon monoxide, an odorless and deadly gas. NEVER run unit indoors or in a poorly ventilated area.
	Do not use if children or bystanders are present.		Do NOT touch hot muffler or cylinder. These parts are extremely hot from operation and may remain hot for a short time after operation.
	Rotating parts can cause serious injury. Keep hands and feet away.		To reduce risk of fire, clean spilled gas and oil and keep unit free from debris. Gasoline is extremely flammable. Allow machine to cool before refueling.

## Control and Operating Symbols

	<b>Oil Fill Location</b> Do Not Overfill		<b>Gasoline Fill Location</b>
	<b>Depth Control Lever</b> START Position is the furthest FORWARD position  Move lever REARWARD to increase cutting depth		<b>Start Lever</b> Release lever to stop engine Engage lever to start/run engine
	<b>Choke/Cold Start</b>		<b>Run/Warm Start</b>
	Always check that the ground wires are connected before running the unit		

# Important Safety Information

• Save all instructions

## RESPONSIBILITY OF OPERATOR

1. Carefully read and follow these safety instructions. Failure to do so can result in serious injury.
2. Know your product. Read and understand this manual before use. Compare the illustrations to unit. Learn location and function of all controls. Thoroughly understanding the unit before use will result in the best performance and safety.
3. Follow all instructions when assembling the unit. If the unit was purchased in assembled condition, the operator must check the unit carefully to make sure it was assembled according the instructions in the manual before use.
4. Regularly inspect the edger. Make sure parts are not bent, damaged, or loose.
5. Use this equipment for its intended purpose only.
6. Operate the unit only with guards, shields, and other safety items in place and working correctly.
7. Service the unit only with authorized or approved replacement parts.
8. Complete all unit maintenance and adjustments according to the instruction in this manual.

### **WARNING**

Look for this symbol to point out important safety precautions. It means: “Attention! Become Alert! Your Safety Is Involved.”

### **WARNING**

Engine exhaust, some of its constituents, and certain vehicle components contain or emit chemicals known to the State of California to cause cancer and birth defects or other reproductive harm.

### **WARNING**

To prevent accidental starting when setting up, transporting, adjusting or making repairs, always disconnect spark plug wire and put wire where it cannot contact the spark plug.

## PREPARATION SAFETY

### **WARNING**

- Read, understand, and follow all instructions on the machine and in this manual. Be thoroughly familiar with the controls and the proper use of the edger before starting. Know how to stop the engine quickly.
- Familiarize yourself with all the safety and operating decals on this equipment.

### **WARNING**

- Thoroughly inspect the area where the edger is to be used and remove all foreign objects. Your equipment can propel small objects at high speed causing personal injury or property damage. Stay away from breakable objects, such as house windows, auto glass, greenhouses, etc.
- Check that all nuts and bolts are tight and equipment is in good condition.

### **WARNING**

- Always check that the flameout wire is connected before starting engine.

## OPERATION SAFETY

- Never allow children or young teenagers to operate the edger.

### **WARNING**

- Keep area of operation clear of all bystanders, particularly small children and pets.
- Only allow responsible individuals, who are familiar with the instructions, to operate the edger.

### **WARNING**

- Do not operate the edger while under the influence of alcohol, drugs, or other medication which can cause drowsiness or affect your ability to operate this machine safely.
- Do not use this machine if you are mentally or physically unable to operate the machine safely.

# Important Safety Information *(Continued)*

## • Save all instructions

### **OPERATION SAFETY *(Continued)***

- Always wear ANSI compliant safety goggles or safety glasses with side shields when operating edger to protect your eyes from foreign objects, which can be thrown from the unit.
- Wear appropriate clothing such as a long sleeved shirt or jacket. Also wear long trousers or slacks. Do NOT wear shorts. Do NOT wear loose clothing, which could get caught in this equipment.
- Always wear work gloves and sturdy footwear such as leather work shoes or short boots. These will protect ankles and shins from small sticks, splinters, and other flying debris, and improve traction.
- It is advisable to wear protective headgear to protect against being struck by small flying particles, or being struck by low hanging branches, twigs, or other objects, which may be unnoticed by the operator.

#### **⚠ WARNING**

- Do not put hands or feet near or under rotating parts.
- Exercise extreme caution when operating on or crossing gravel drives, walks, or roads. Stay alert for hidden hazards or traffic.

#### **⚠ WARNING**

- Exercise caution to avoid slipping or falling. Always be sure of your footing; keep a firm hold on the handle and walk; never run. Never operate the edger at high transport speeds on slippery surfaces.
- Look behind and use care when backing.
- Never operate the edger without good visibility or light.

#### **⚠ DANGER**

- Do not run the engine indoors or inside a closed area. The exhaust fumes are dangerous, containing CARBON MONOXIDE, an ODORLESS AND DEADLY GAS.
- Never leave the edger unattended when the engine is running. Stop the engine and make sure all moving parts have stopped. Remove the wire from the spark plug.
- Do not overload the edger capacity by attempting to till too deep at too fast a rate.
- If the edger should start to vibrate abnormally, stop the engine, disconnect the spark plug wire and prevent it from touching the spark plug. Check immediately for the cause. Vibration is generally a warning of trouble.
- Watch for holes, ruts, bumps, or other rough ground. Tall grass can hide obstacles.

### **FUEL SAFETY**

#### **⚠ WARNING**

- Gasoline is extremely flammable, and gasoline vapors can explode if ignited. Handle with care.
- Use an approved container.
- Check fuel supply before each use, allowing space for expansion as the heat of the engine and/or sun can cause fuel to expand.
- Fill fuel tank outdoors with extreme care. Never fill fuel tank indoors.
- Never remove gas cap or add fuel with the engine running. Allow engine to cool before refueling.

#### **⚠ WARNING**

- Do not smoke while refueling.
- After refueling, replace fuel tank cap securely and wipe up spilled fuel.
- Never store fuel or edger with fuel in the tank inside a building where fumes may reach an open flame.

### **STORAGE SAFETY**

- Always refer to the operator's manual instructions for important details if the edger is to be stored for an extended period.
- Never store the edger with fuel in the fuel tank inside a building where ignition sources are present such as water heaters, space heaters, clothes dryers, etc.
- To reduce fire hazard, keep edger free of grass, leaves, or other debris build-up.
- Allow the engine to cool before storing in any enclosure.

## **Important Safety Information** (Continued)

- **Save all instructions**

### **REPAIR, MAINTENANCE, AND ADJUSTMENT SAFETY**

- After striking a foreign object, stop the engine. Remove the wire from the spark plug and keep the wire away from the plug to prevent accidental starting. Thoroughly inspect the edger for any damage. If damaged, have the equipment repaired by a trained technician before restarting and operating.

#### **⚠ WARNING**

- Stop the engine before cleaning, repairing, or inspecting the unit. Make sure all moving parts have stopped. Let the engine cool, disconnect the spark plug wire and move it away from the spark plug.
- Never attempt to make any adjustments while the engine is running except when specifically recommended by the manufacturer.
- Keep the edger in safe working condition. Check all fasteners at frequent intervals for proper tightness.
- When servicing or repairing the edger, do not tip the machine over or up unless specifically instructed to do so in this Manual. Service and repair procedures can be done with the edger in an upright position. Some procedures will be easier if the machine is lifted on a raised platform or working surface.
- Use only original equipment or authorized replacement parts.

#### **⚠ WARNING**

- Never tamper with safety devices. Check their proper operation regularly.
- Do not change the engine governor setting or over-speed engine.
- Clean and replace safety and instruction decals as necessary.
- To guard against engine over-heating, always have engine debris filter mounted and clean.

### **CHILDREN SAFETY**

#### **⚠ WARNING**

- Tragic accidents can occur if the operator is not alert to the presence of children. Children are often attracted to the edger and the edging activity.
- Keep children out of the edging area and under the watchful care of a responsible adult.
- Never assume that children will remain where you last saw them.
- Be alert and turn edger off if children enter the area.
- Before and while moving backwards, look behind and down for small children.
- Never allow children to operate the edger.
- Use extra care when operating near blind corners, shrubs, trees, or other objects that may obstruct vision.

# Edger Specifications

• Save all instructions

Unit Weight . . . . .	50.3 lb. (22.8kg)	Spark Plug Gap . . . . .	0.024-0.028 in. (0.6-0.7 mm)
Cutting Depths . . . . .	0-2.5 in. (0-63 mm)	Engine Type . . . . .	4 Stroke OHV
Blade Diameter . . . . .	9 in. (228 mm), 2 point	Displacement . . . . .	79cc
Gasoline Type . . . . .	Regular Unleaded / 88 Octane (min.)	RPM . . . . .	3600 RPM
Gasoline Capacity . . . . .	1.7 qt. (1.6L)	Torque Rating . . . . .	3.5 ft-lbs torque per SAE J1940
Oil Type (API SG-SL) 10W-30 is recommended for all service temperatures. See page 7 for additional information.		Bore Diam. x Stroke . . . . .	2.03X1.50 in. (51.6X38 mm)
Oil Capacity . . . . .	12 oz (355 ml)	Intake Valve Clearance . . . . .	0.0079-0.0098 in.(0.20-0.25 mm)
Spark Plug Model . . . . .	Torch E7RTC	Exhaust Valve Clearance . . . . .	0.0098-0.012 in.(0.25-0.30mm)
		Angle of Ignition . . . . .	25 Degrees

## Parts & Features

- 1. Start Lever** Lever on handle which allows the engine to run. When lever is released, engine will stop.
- 2. Choke Control** Restricts the air intake. This allows for an enriched fuel-air mixture which helps to start the engine.
- 3. Muffler** Location of engine exhaust.
- 4. Recoil Starter Handle** The engine is equipped with an easy pull recoil starter.
- 5. Blade** Rotating cutting element.
- 6. Blade Guard** Prevents stones and debris from being thrown at the operator.
- 7. Spark Plug/Spark Plug Wire** Provides spark to ignite air/fuel mixture. The Spark Plug Wire must be disconnected and moved away from the Spark Plug when servicing the unit.
- 8. Air Filter** Removes debris and contaminants from intake air, allowing engine to run smoothly with low exhaust.
- 9. Depth Selector Plate, 10. Depth Control Lever, 11. Control Rod** Used to control the edging depth of cut.
- 12. Flameout Wire Terminals** Must be connected for the Start Lever to function.

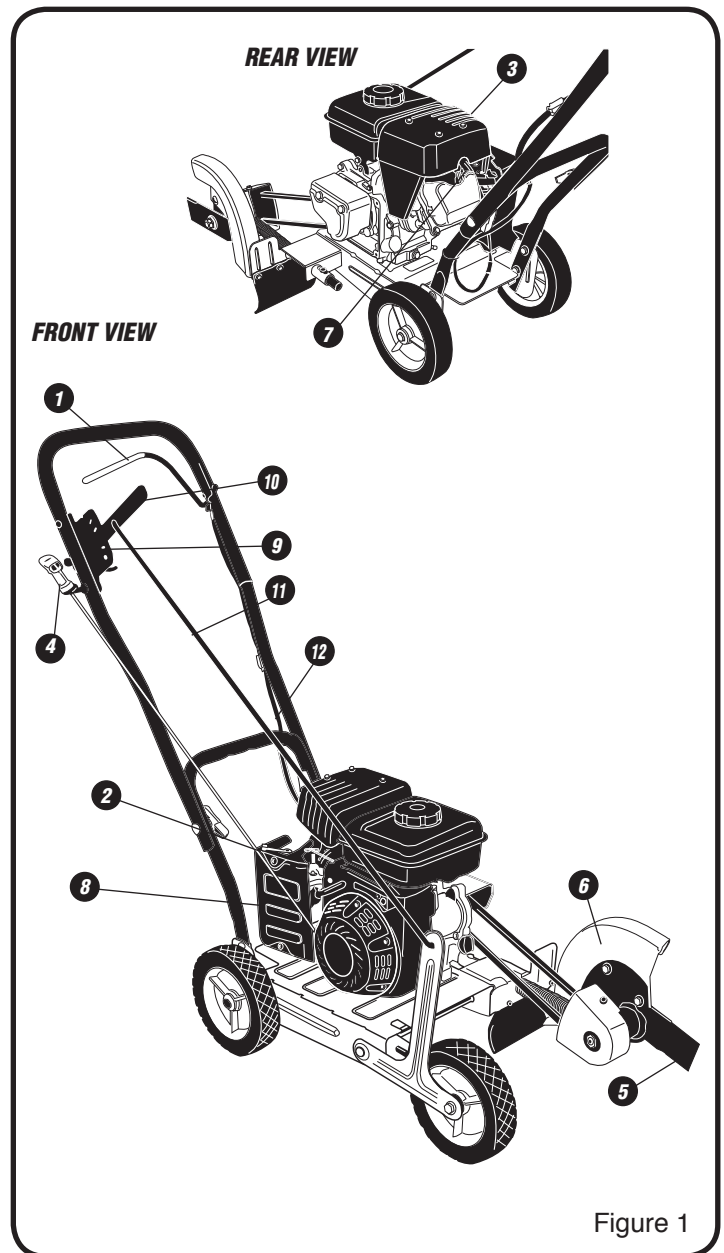


Figure 1

# Assembly

• Save all instructions



If you need assistance or find any parts missing, CALL  
TOLL FREE: 1-800-737-2112.

Read and follow the assembly instructions. Do not discard any parts or materials until the unit is assembled. References to the right or left side of the edger are from the viewpoint of the operator's position behind the edger.

## **⚠ WARNING**

Do not operate edger if it is damaged or not completely and correctly assembled.

## **⚠ WARNING**

Before doing any assembly or maintenance to the unit, remove the wire from the spark plug.

## **⚠ WARNING**

Always wear ANSI compliant safety glasses with side shields while assembling the edger.

The following components will be found in the carton.  
Quantities shown in ( ).

1. (1) Edger
2. (1) Edger Operator's Manual
3. (1) Upper Handle
4. (1) Control Rod
5. (1) Container of SAE 30 Engine Oil
6. (1) Parts bag containing the following:
  - (2) Hair Pins
  - (2) Plastic Wing Nuts (M8)
  - (2) M8x35mm Pipe Bolts
  - (1) Wire Tie
  - (1) Spark plug socket wrench w/ rod

## **A** How to Remove Edger from Carton

1. Remove all parts and packaging components.
2. Use a utility knife to cut all 4 vertical edges and lay the side panels flat around the edger.
3. Remove any remaining packaging.
4. Roll the unit out from the carton, and place on a hard level surface.

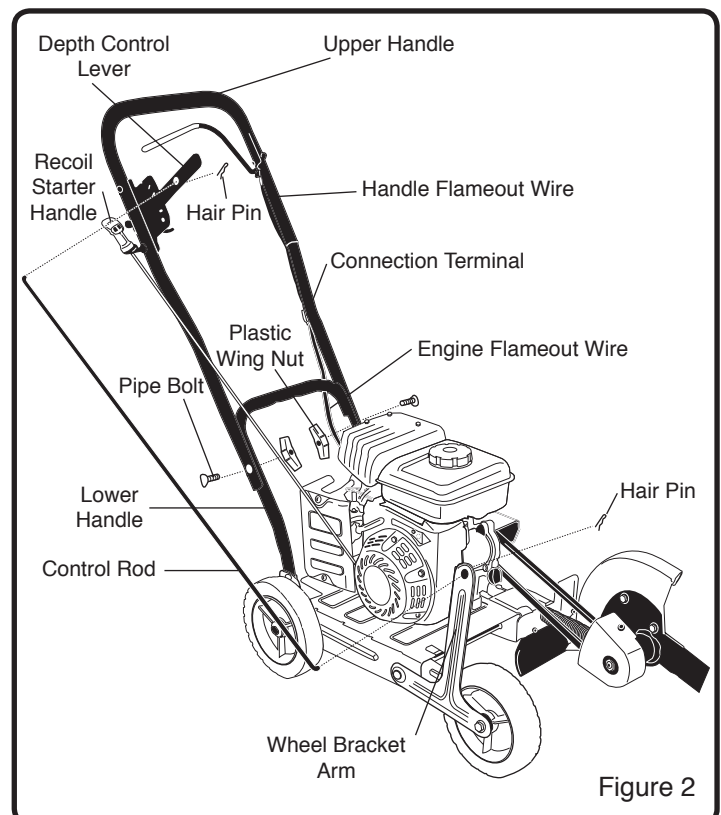
## **B** How to Assemble the Handle

**NOTE:** Refer to Figure 2 when following steps below:

1. Assemble the upper handle to the lower handle with the (2) pipe bolts and the (2) plastic wing nuts. Firmly hand-tighten the wing nuts.
2. Slide one end of the control rod into the hole of the Depth Control Lever. Secure with hairpin.
3. Slide the other end of the control rod through the hole of the wheel bracket arm. Secure with second hairpin.
4. Attach the recoil starter handle through the rope guide, by twisting it into position.
5. Remove the temporary insert from the engine flameout wire terminal.
6. Connect the flameout wires from the engine and handle. Use cable tie to secure loose wire to handle.

## **⚠ WARNING**

Flameout wires **MUST** be connected for correct engine operation. Failure to connect can result in serious injury.



# Engine Preparation

• Save all instructions

## **A** Engine Oil

### **CAUTION**

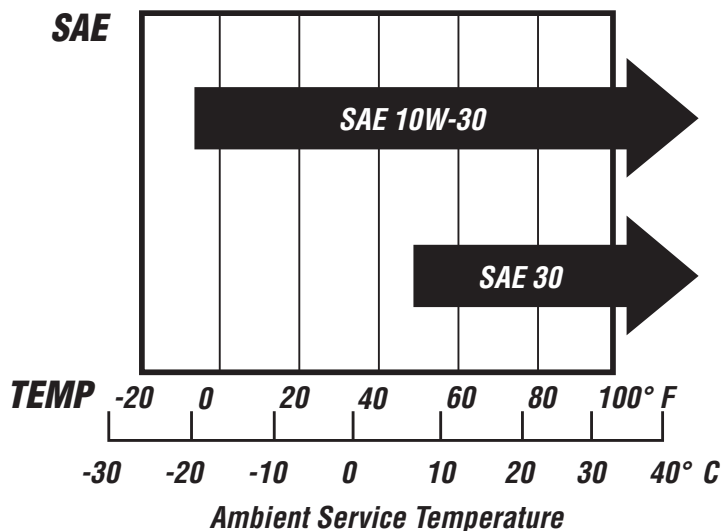
Engine shipped without oil. Failure to add oil will result in serious engine damage.

A bottle of SAE 30 engine oil is included with your edger. Refer to the chart on the right for alternative oil types to use at different temperatures. Always use a high quality detergent oil classified "For Service, SG, SH, SJ" or higher. Do not use special additives.

### **CAUTION**

Always use recommended oil type. Using dirty oil or incorrect oil type such as 2-stroke engine oil will shorten engine life.

**NOTE:** Engine Oil Capacity is 355 ml. For the first time fill, simply add the entire contents of the provided oil bottle to the crankcase.



## HOW TO CHECK OIL LEVEL AND FILL TO PROPER LEVEL

### **WARNING**

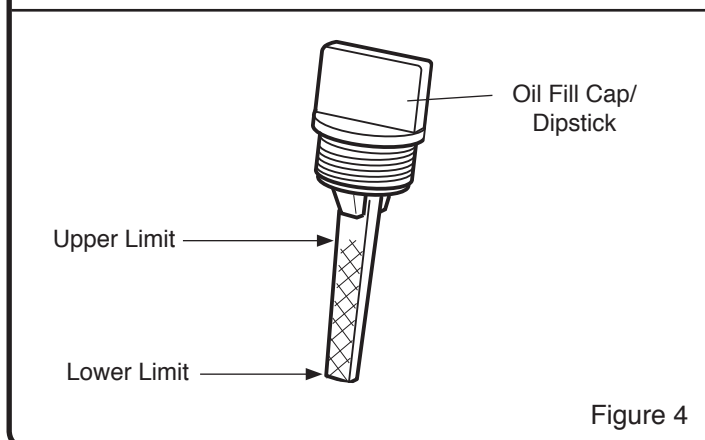
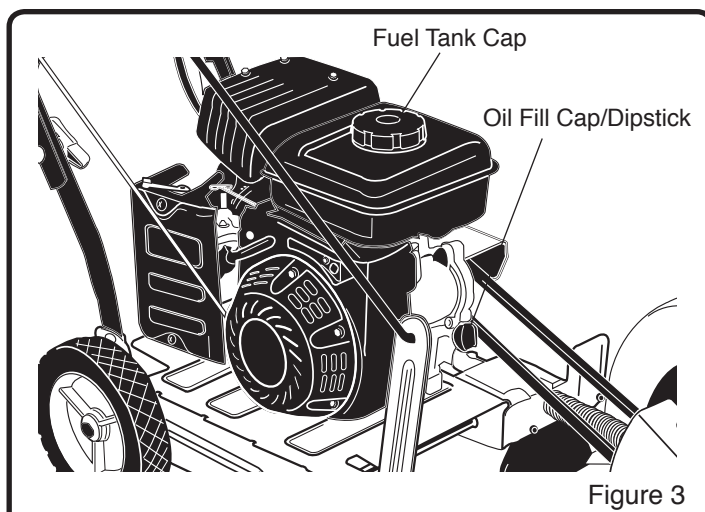
Before checking oil, make sure engine is off, and spark plug wire has been disconnected from spark plug.

1. Place the edger on a level surface. Put the depth control lever in the first cutting depth (See Figure 7), and check that the frame of the edger is level.
2. Remove the oil fill cap/dipstick and wipe clean with cloth. (See Figure 3)
3. Insert dipstick into fill spout but do NOT screw in. Remove dipstick and check oil level.
4. When oil level is full, the oil will be at upper limit on dipstick. If oil level is near or below the lower limit, oil must be added. (See Figure 4)
5. Add oil slowly until the oil level reaches the upper limit of the dipstick. Use a funnel or nozzle to reduce spillage.

### **CAUTION**

Frequently check oil level while filling. DO NOT OVERFILL. DO NOT UNDERFILL. Running engine at improper oil level will seriously damage engine.

6. Replace and tighten dipstick.
7. Clean up any spilled oil.





# Engine Preparation *(Continued)*

• *Save all instructions*

## **B** Fuel

### **⚠ WARNING**

• Gasoline is extremely flammable and vapors can explode if ignited. Handle with care.

Use fresh, clean, regular-unleaded gasoline with a minimum of 88 Octane.

Do NOT use leaded gasoline, gasohol, methanol, or diesel fuel. Do NOT mix oil with gasoline. Do NOT allow gasoline to become contaminated with dust, water, or debris.

### **⚠ CAUTION**

Using incorrect fuel type or contaminated fuel will cause serious engine damage.

**NOTE:** Fuel tank capacity is approximately 1.69 qt (1.6L)

## **HOW TO FILL ENGINE WITH FUEL**

### **⚠ WARNING**

- Turn engine off and let engine cool for several minutes before removing the fuel cap or adding fuel.
- Never fill fuel tank indoors.
- Do not smoke while adding fuel.

1. Clean surface around fuel tank cap to prevent contamination. (See Figure 3)
2. Loosen fuel cap slowly. After removing cap, place on a clean surface.
3. Pour fuel into the tank. Use care to avoid spillage.

### **⚠ WARNING**

Do NOT OVERFILL fuel. Allow space for the fuel to expand due to heat from engine and/or sun.

4. Before replacing the fuel cap, inspect and clean the fuel cap seal.
5. Replace the fuel cap and securely hand-tighten.
6. Clean up any spilled fuel.

# Operation

• *Save all instructions*

## **A** Before Starting the Engine

### **⚠ WARNING**

Before starting engine, read operator's manual. Become familiar with location and function of all controls. Know how to stop the engine quickly.

### **⚠ WARNING**

Before starting the engine, check that the flameout wire terminals have been connected.

Before attempting to start the engine, review the following steps:

1. Unit has been assembled according to all assembly instructions.
2. Flameout wire terminals are connected.
3. Unit has been inspected for any damaged or missing components.
4. No parts are remaining in the carton.

# Operation

• Save all instructions

## A Before Starting the Engine (Continued)

5. Engine oil is at proper level.
6. Fresh, clean, regular-unleaded gasoline has been added to fuel tank.
7. Spark plug wire is connected to spark plug.
8. Edger has been moved to desired location.
9. Edger is on level surface.

### ⚠ WARNING

Keep all bystanders, especially CHILDREN, away during operation.

**IMPORTANT:** This unit's engine exhaust system is equipped with a spark-arresting muffler. Tampering with or removing the spark-arrestor violates section 4442 of the California Public Resources Code as well as other applicable state and federal law.

## B How to Start Engine

### ⚠ DANGER

Never Run engine indoors or in a poorly ventilated area. Engine exhaust contains Carbon Monoxide, an ODORLESS and DEADLY gas.

### ⚠ WARNING

Debris thrown from edger can cause severe eye damage. Always wear ANSI compliant safety glasses or eye shields when operating edger. If you wear eyeglasses, put an OSHA certified Wide Vision Safety Mask over your eyeglasses.

1. Review ALL steps in the "BEFORE STARTING THE ENGINE" section.
2. Move the Depth Control Lever to the Start Position. (See Figure 6)
3. Rotate Choke to the Choke Position. (See Figure 5)  
**NOTE:** Not required when re-starting a warm engine.
4. Firmly grip the edger handle with your left hand, pulling the Start Lever against the handle. (See Figure 6)  
**NOTE:** Engine will not start if the Start Lever is not pulled against the handle
5. Firmly grip the Recoil Starter Handle with your right hand. (See Figure 6)
6. Pull the recoil slowly, until you feel tension in the starter rope. Then quickly pull the recoil starter handle to completely unwind the starter rope. DO NOT allow the starter rope to snap back. Let the starter rope slowly rewind.
7. After the engine starts, wait 2-5 seconds and rotate the choke back to the RUN position. (See Figure 5)
8. If engine fails to start after 5 or 6 more attempts, see instructions in the "Troubleshooting Chart".

### ⚠ WARNING

Keep hands, feet, hair, and loose clothing away from any moving parts. Avoid touching muffler and surrounding areas – temperatures can exceed 150 degrees. Keep all safety devices and shields in place.

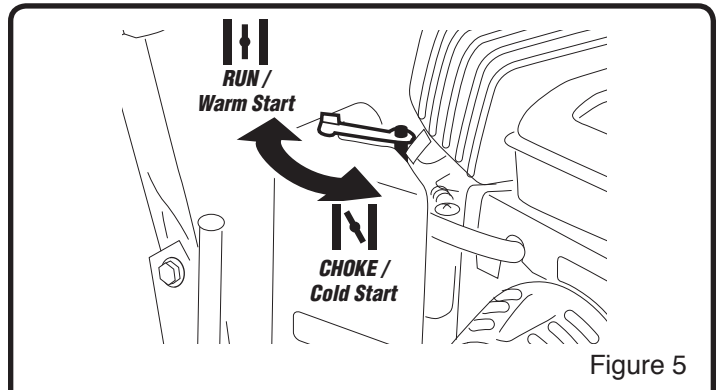


Figure 5

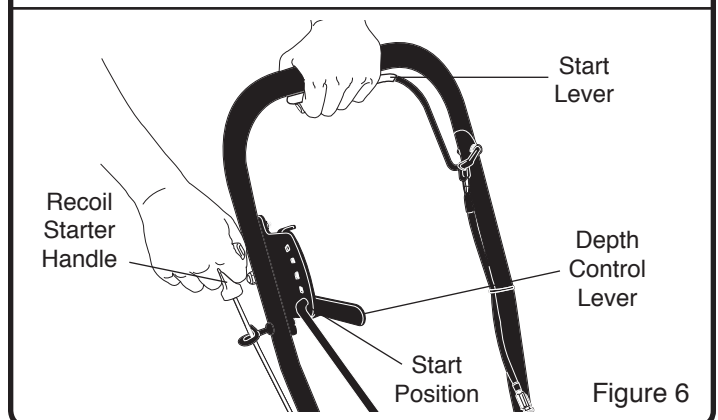


Figure 6

## Operation (Continued)

• Save all instructions

### **C** How to Stop the Edger

Release the start lever (See Figure 6). This will ground out the engine through the flameout wire, causing the engine to stop.

### **⚠ WARNING**

The flameout wire terminals must be securely connected for the Start Lever to function. Refer to the “How to assemble the handle” section.

### **D** How to Adjust Cutting Depth

Move the Depth Control Lever rearward to increase the depth. (See Figure 7)

**NOTE:** There are 4 cutting depth settings from approximately ground level to 2.5” (63 mm) deep.

### **⚠ CAUTION**

Do not overload the edger capacity by attempting to edge too deep at too fast a rate. To edge at deeper settings, make multiple passes, first cutting at shallow depths.

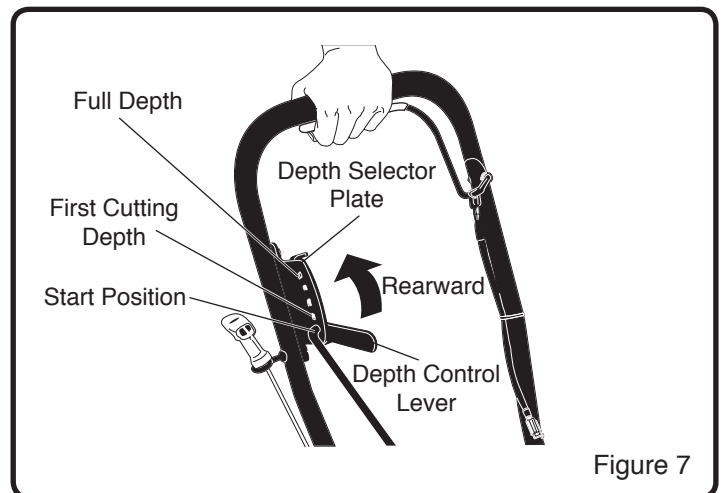


Figure 7

### EDGING TIPS

### **⚠ WARNING**

Read the Operator's manual. Know location and functions of all controls. Keep all safety devices and shields in place. Never allow children or uninstructed adults to operate the edger. Keep bystanders away from machine. Keep away from the blade and all rotating parts, which cause injury.

- Edging is best performed when conditions are dry. If the soil is too wet, dirt becomes packed around the blade causing premature belt wear and decreased performance.
- If dirt does become packed around the blade, stop the engine and remove the wire from the spark plug. Remove the packed dirt and debris from the blade.
- For deep edging, first cut at shallow depths. Then, cut at greater depths until the desired depth is obtained.
- Edging can be customized by varying the number of passes and the distance between the blade and the edge of sidewalk, driveway, or curb.

# Maintenance

• Save all instructions

## **A** Maintenance Schedule

### **⚠ WARNING**

Before performing any maintenance, turn engine off and remove the wire from the spark plug to prevent accidental starting and serious injury.

**IMPORTANT:** The warranty on this edger does not cover items that have been subjected to operator abuse or negligence. To receive full value from the warranty, the operator must maintain the edger as instructed in this manual, and only use genuine replacement parts. The following table lists required periodic maintenance.

### PERIODIC MAINTENANCE SCHEDULE TABLE

<b>Service Records- Fill in dates as you complete regular service</b>	<b>Before Each Use</b>	<b>After Every 10 Hours of Use</b>	<b>After Every 25 Hours of Use</b>	<b>After Every 50 Hours of Use</b>	<b>After Every 100 Hour of Use</b>	<b>Before Each Season</b>	<b>Before Storage</b>	<b>See Note Below</b>
Check Engine Oil Level, Fill to Proper Level	✓					✓		
Check Connection of BOTH Flameout Wire Connectors	✓					✓		
Clean Debris From Unit	✓					✓	✓	
Lubricate All Pivot Points		✓				✓	✓	
Check Fasteners for Tightness		✓				✓		<b>1</b>
Check Drive Belt Replace if Necessary		✓				✓		
Check Blade for Wear or Damage Replace if Necessary		✓				✓		
Check Fuel Line Replace if Necessary			✓			✓		
Lubricate Wheel Axles			✓			✓	✓	
Check Spark Plug Replace if Necessary			✓			✓		
Change Engine Oil				✓		✓	✓	<b>2,3</b>
Clean Air Filter Replace if Necessary			✓			✓		<b>4</b>
Replace Spark Plug					✓			
Clean Combustion Deposits from Cylinder, Piston, and Valves					✓			

### **⚠ CAUTION** IMPORTANT NOTES about Maintenance schedule

1. Re-check tightness of all fasteners after first 2 hours of initial use
2. Change engine oil after first 5-8 hours of initial use
3. Change oil every 25 hours if operating under heavy load or in high temperatures
4. Clean air filter every 10 hours if operating under dusty conditions.

### **⚠ WARNING**

Use only GENUINE replacement parts. Other parts may damage the unit or result in injury.

# Maintenance (Continued)

• Save all instructions

## **B** Lubrication

Add a small amount of engine oil to lubricate parts and pivot points.

Refer to “Periodic Maintenance Schedule Table” for time intervals to lubricate parts.

## **C** How to Change the Engine Oil

**NOTE:** Refer to Figure 8 when following the steps below:

1. Stop the engine and let it cool.
2. Disconnect spark plug wire from the spark plug.
3. Put the depth control lever in the starting position (See Figure 7). This will slightly tilt the frame and engine toward the rear.
4. Insert a flat pan under the edger, underneath the oil drain plug and frame hole.
5. Remove oil dipstick. (See Figure 3)
6. Remove the oil drain bolt and washer.
7. Allow all oil to drain through the frame hole into the pan.

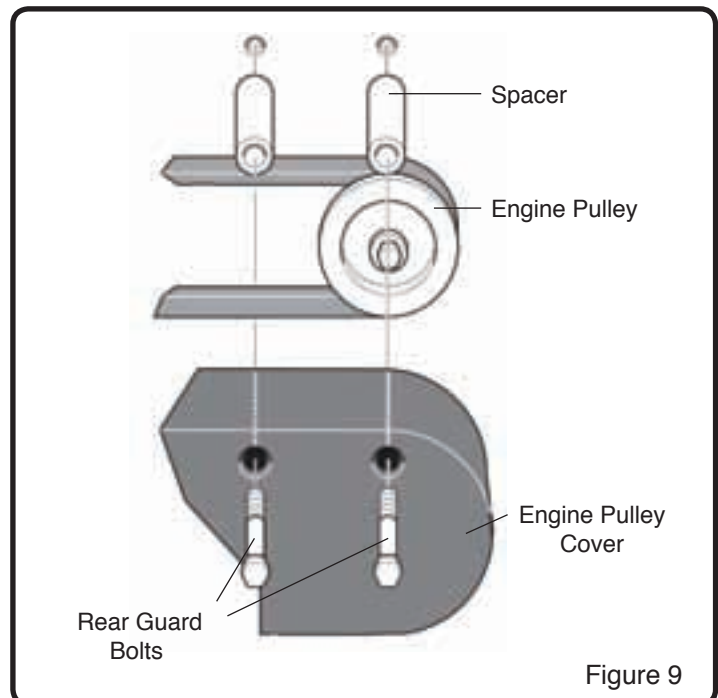
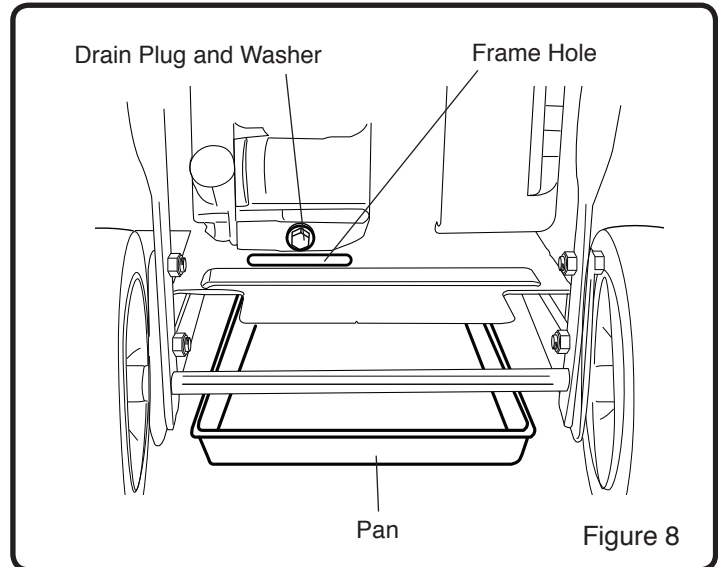
**IMPORTANT:** Used oil is a hazardous waste. Place oil in a sealed container and take to your local recycling center. Do NOT discard with household waste.

8. Replace and tighten the oil drain plug and washer.
9. To re-fill engine with oil, see engine preparation section “How to Check Oil and Fill to Proper Level.”

## **D** How to Replace the Belt

**IMPORTANT:** Only use a replacement belt from the manufacturer. To order spare parts call us at 1-800-737-2112.

1. Disconnect the spark plug wire from the spark plug.
2. Remove the two rear guard bolts to remove the engine pulley cover. (See Figure 9)

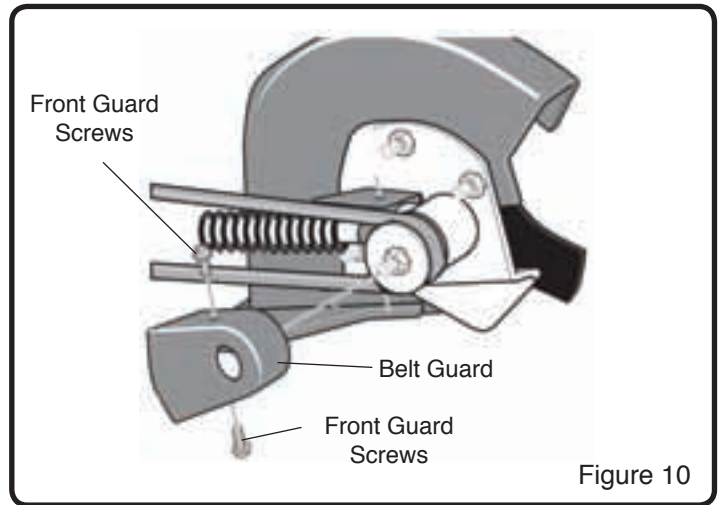


# Maintenance (Continued)

• Save all instructions

## D How to Replace the Belt (Continued)

3. Remove the two Front Guard Screws and the Belt Guard. (See Figure 10)
4. Push the blade arm toward the unit to compress the blade arm spring and slacken the belt. TIP: This can be accomplished by using a ratcheting tie-down strap. Always follow the strap manufacturer's instructions.
5. Remove the old belt from the engine and quill assembly pulleys.
6. To install a replacement belt from the manufacturer, reverse the steps above.
  - The rear guard bolts should be tightened to 13-16 foot-pounds [18-22N-m].
  - The front guard screws should be tightened to 4-6 foot-pounds [6-8N-m].



## E How to Change the Blade

### ⚠ WARNING

Do not sharpen the blade. Sharpening can damage the blade and cause it to break, which can cause injury to you or to others.

The blade is subject to nicks, scratches, and dents, which will generally not affect function. The blade is also subject to wear – reducing the cutting depth. Replace a worn blade by following the steps below:

**IMPORTANT: Only use a replacement blade from the manufacturer. To order spare parts call us at 1-800-737-2112.**

**Note:** Replacing the blade requires two (2) 12" adjustable wrenches, or two (2) 3/4 in. [19mm] wrenches.

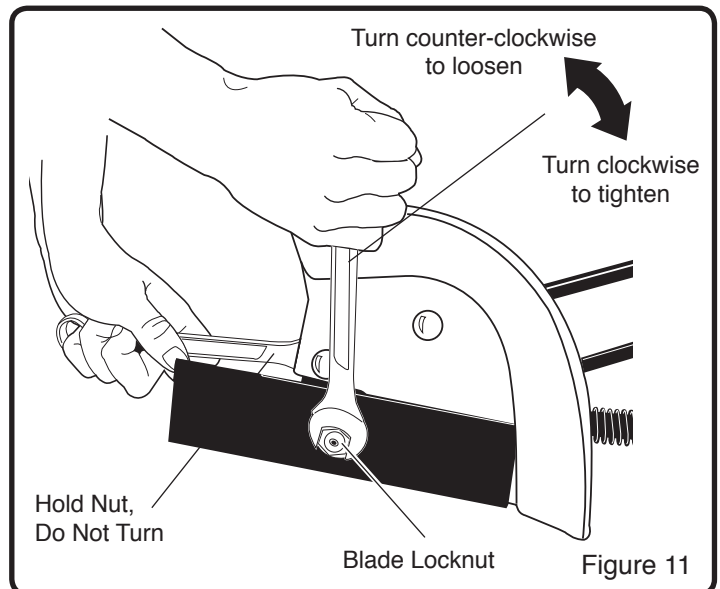
1. Shut off engine.
2. Disconnect the spark plug wire from the spark plug.
3. Remove the blade locknut that holds the blade to the drive shaft. (See Figure 11)

### ⚠ WARNING

To remove or tighten the blade locknut, always use the method shown in Figure 11. Always position the holding wrench on the nut behind the blade.

4. Remove the blade.
5. Replace with new blade from the manufacturer by reversing the above steps.

**Note:** Tighten the blade locknut to 35-45 foot-pounds (47-61 N-m)



# Maintenance (Continued)

• Save all instructions

## **F** How to Clean the Air Filter

A dirty air filter will restrict air intake. Regular maintenance of air cleaner will help improve engine performance and reduce emissions.

### **⚠ WARNING**

Never clean air filter with gasoline or an easy ignited solvent because it may cause explosion.

**NOTE:** Refer to Figure 12 when following the steps below:

1. Remove the air filter cover bolts.
2. Remove the air filter cover.
3. Carefully remove air filter element to prevent dirt from falling into carburetor.
4. Clean all parts. Wash the air filter element in a nonflammable or high burning point solvent, and allow to dry thoroughly; dip the filter element in clean oil, and squeeze out all excess oil.
5. Reinstall the air filter element.
6. Replace air filter cover and tighten cover bolts.

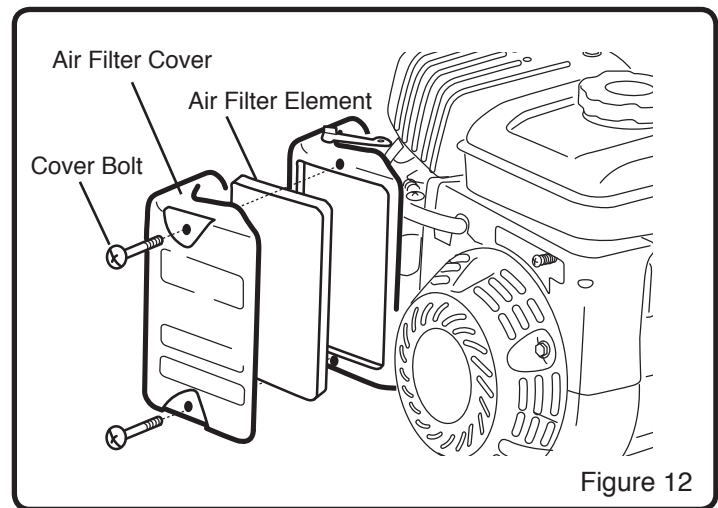


Figure 12

## **G** How to Check the Spark Plug

**Spark Plug Model: Torch E7RTC**

### **⚠ CAUTION**

Only use the recommended spark plug or a spark plug with the same temperature range. Using an improper spark plug, an incorrect spark plug gap, or a dirty/fouled spark plug can reduce engine performance and cause damage.

1. Stop engine and allow it to cool.
2. Remove spark plug wire from spark plug.
3. Use the spark plug wrench and rod (included with edger) to remove the spark plug. (See Figure 13)
4. Visually inspect the spark plug for cracks or damage. If cracked, replace spark plug.
5. Clean carbon deposits. If excessive carbon build up, replace spark plug.
6. Check that the gap of the spark plug is 0.024-0.028 in. (0.6-0.7 mm). (See Figure 14)
7. Re-insert the spark plug and tighten using the spark plug wrench and rod. (See Figure 13)

**NOTE:** Torque of spark plug is 18-22 foot-pounds (25-30 Nm)

8. Reattach spark plug wire to spark plug.

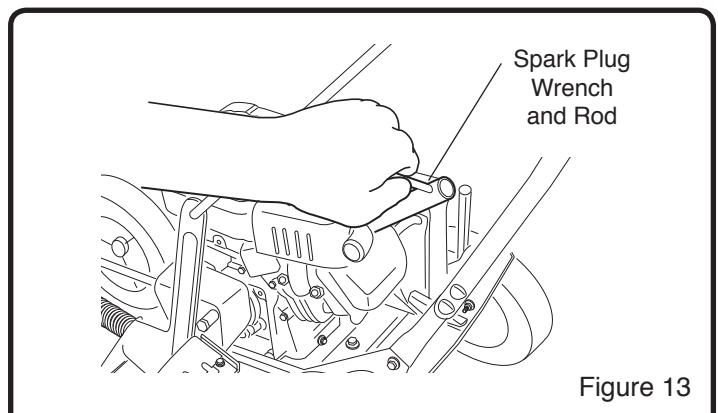


Figure 13

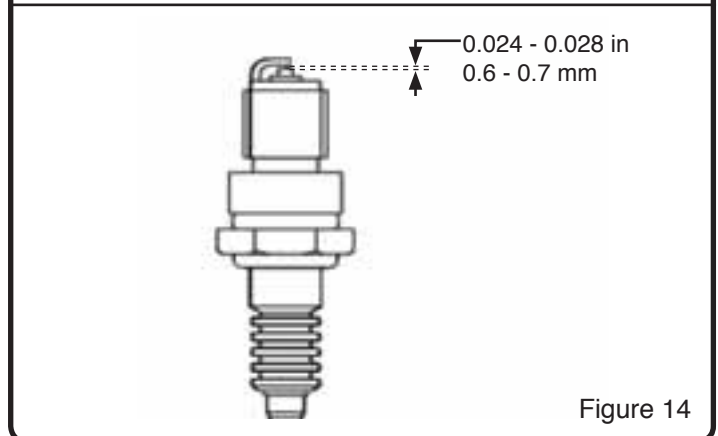


Figure 14

# Maintenance *(Continued)*

• Save all instructions

## **H** How to Prepare for Storage

### **⚠ WARNING**

Never store the edger indoors with fuel in the fuel tank. Never store in an enclosed, poorly ventilated area where fumes could reach an open flame, a spark or a pilot light as on a furnace, water heater or clothes dryer. Allow engine to cool before storing unit.

### **⚠ WARNING**

Do not remove gasoline while inside a building, near a fire, or while you smoke. Gasoline fumes can cause an explosion or a fire.

**NOTE:** A yearly checkup or tune-up at an authorized service center will make sure that the edger will provide maximum performance for the next season.

When the edger is put in storage for thirty days or more, the following steps should be followed to make sure the edger is in good condition the next season.

1. Let the engine run until it is out of gasoline.
2. Change the oil by following instructions under “How to Change the Oil.”
3. Remove the spark plug from the cylinder. Pour one ounce of oil into the cylinder. Slowly pull the recoil-start grip so that the oil will protect the cylinder. Install a new spark plug in the cylinder. Pull starter handle slowly a few times to distribute oil. Pull recoil slowly until resistance is felt. This will close the cylinder valves.

### **⚠ WARNING**

DO NOT attach spark plug wire to spark plug when storing unit.

4. Clean edger. Remove all dirt, leaves, debris, grease, etc. from the edger - including cylinder cooling fans, recoil starter cover holes, under fuel tank, and under muffler.
5. Check the edger for worn or damaged parts. Have damaged parts replaced if necessary.
6. Tighten any loose hardware.
7. Apply lubrication as directed in Maintenance section.
8. Put the unit in a building that has good ventilation.
9. Cover the edger with a breathing material.



# Troubleshooting

• Save all instructions

<b>PROBLEM</b>	<b>POSSIBLE CAUSE(S)</b>	<b>SOLUTION(S)</b>
Engine difficult to start	<ol style="list-style-type: none"> <li>1. Out of fuel</li> <li>2. Start lever is not compressed</li> <li>3. Choke in "Run / Warm Start" position</li> <li>4. Spark plug wire disconnected</li> <li>5. Fouled spark plug</li> <li>6. Dirty Carburetor</li> <li>7. Clogged air filter</li> <li>8. Clogged fuel filter</li> <li>9. Contaminated Fuel</li> </ol>	<ol style="list-style-type: none"> <li>1. Add fresh fuel</li> <li>2. Pull start lever against handle</li> <li>3. Rotate Choke lever to "Choke / Cold Start" position</li> <li>4. Attach spark plug wire to spark plug</li> <li>5. Remove spark plug. Inspect. Replace if necessary</li> <li>6. Take unit to an authorized service center for Carburetor cleaning</li> <li>7. Remove and clean air filter</li> <li>8. Remove fuel filter. Inspect. Replace if necessary</li> <li>9. Drain fuel tank. Clean fuel tank. Fill with fresh fuel</li> </ol>
<u>Engine Problems</u> Engine smokes excessively Engine runs very "rough" Engine runs erratically Engine cannot maintain full speed	<ol style="list-style-type: none"> <li>1. No Engine Oil</li> <li>2. Engine oil not at proper level</li> <li>3. Fouled spark plug</li> <li>4. Clogged air filter</li> <li>5. Clogged fuel filter</li> <li>6. Contaminated Fuel</li> <li>7. Carburetor out of adjustment</li> <li>8. Choke in "Choke / Cold Start" position</li> </ol>	<ol style="list-style-type: none"> <li>1. Add engine oil</li> <li>2. Check engine oil. Add or drain engine oil if necessary</li> <li>3. Remove spark plug. Inspect. Replace if necessary</li> <li>4. Remove and clean air filter</li> <li>5. Remove fuel filter. Inspect. Replace if necessary</li> <li>6. Drain fuel tank. Clean fuel tank. Fill with fresh fuel</li> <li>7. Take unit to an authorized service center for Carburetor adjustment</li> <li>8. Rotate Choke to "Run / Warm Start" position</li> </ol>
Excessive vibration / noise	<ol style="list-style-type: none"> <li>1. Loose parts</li> <li>2. Engine problems (above)</li> </ol>	<ol style="list-style-type: none"> <li>1. Tighten all fasteners</li> <li>2. Refer to engine solutions (above)</li> </ol>
Blade will not rotate	<ol style="list-style-type: none"> <li>1. Debris interfering with blade</li> <li>2. Blade loose</li> <li>3. Belt Loose</li> </ol>	<ol style="list-style-type: none"> <li>1. Remove debris from around blade</li> <li>2. Tighten blade nuts</li> <li>3. Replace Belt</li> </ol>
Engine will not stop	Flameout wire terminals disconnected	Connect handle and engine flameout wire terminals
Blade will not cut properly	Damaged or worn blade	Replace blade
Frequent engine stalling	<ol style="list-style-type: none"> <li>1. Excessive edging speed / depth</li> <li>2. Engine problems (above)</li> </ol>	<ol style="list-style-type: none"> <li>1. Edge at a moderate pace. Make multiple passes.</li> <li>2. Refer to engine solutions (above)</li> </ol>

# Technical Service

You may have further questions about assembling, operating, or maintaining this EDGER. If so, you can contact our Technical Service Department at 1-800-737-2112 (English only).

You may also write to:

**METL Corporate Office - CORRESPONDENCE ONLY**  
**ATTN: Technical Service – METL**  
**6700 Wildlife Way**  
**Long Grove, IL 60047**



**If you need assistance or have any questions, CALL  
TOLL FREE: 1-800-737-2112.**

**When contacting the Technical Service Department, have ready:**

- Your Name
- Your Address
- Your Phone Number
- Model Number of Product
- Date of Purchase (include copy of receipt for written requests)

## Warranty

- **Save all instructions**

### **A** Powermate® LAWN EDGER Limited Warranty

Always specify model number when contacting the factory.

We reserve the right to amend these specifications at any time without notice. The only warranty applicable is our standard written warranty. We make no other warranty, expressed or implied. MAT Engine Technologies, LLC warrants this Lawn Edger and any parts thereof, to be free from defects in material and workmanship for two years (90 days for commercial use or for reconditioned unit) from the date of first purchase from an authorized dealer, provided that the product has been properly maintained and operated in accordance with all applicable instructions. This warranty is extended only to the original retail purchaser. The bill of sales or proof of purchase must be presented at the time a claim is made under this warranty. This warranty does not cover commercial, industrial, or rental usage, nor does it apply to parts that are not in original condition because of normal wear and tear, or parts that fail or become damaged as a result of misuse, accident, lack of proper maintenance, tampering, or alteration. Travel, handling, transportation, and incidental costs associated with warranty repairs are not reimbursable under this warranty and are the responsibility of the owner. To the full extent allowed by the law of the jurisdiction that governs the sale of the product, this express warranty excludes any and all other expressed warranties and limits the duration of any and all implied warranties, including warranties of merchantability and fitness for a particular purpose to two years from the date of first purchase, and MAT Engine Technologies, LLC's liability is hereby limited to the purchase price of the product and MAT Engine Technologies, LLC shall not be liable for any other damages whatsoever including indirect, incidental, or consequential damages. Some states do not allow limitation of how long an implied warranty lasts or an exclusion or limitation of incidental or consequential damages, so the above limitation of damages may not apply to you. This warranty provides the original purchaser with specific rights.

For information regarding those rights, please consult the applicable state laws.

**METL Corporate Office - CORRESPONDENCE ONLY**  
**ATTN: Technical Service – METL**  
**6700 Wildlife Way**  
**Long Grove, IL 60047**

# Warranty (Continued)

• Save all instructions

## **B** Emission Control System Warranty

This **MAT Engine Technologies, LLC (METL)** outdoor power equipment engine complies with the emissions regulations of the United States Environmental Protection Agency ("U.S. EPA") and the State of California.

To the extent there is any conflict between this Emissions Control System Warranty and the equipment manufacturer's warranty, this Emissions Control System Warranty shall apply except where the equipment manufacturer's warranty may provide a longer warranty period. Please read your warranty rights and obligations carefully. Some sections of the warranty may not apply to the specific equipment model you purchased. Unless specifically noted otherwise, the terms of the Emission Control System Warranty shall apply to all product engines covered within this manual.

### **Your Warranty Rights and Obligations:**

The California Air Resources Board, U.S. EPA and **MAT Engine Technologies, LLC (METL)** are pleased to explain the Emission Control System Warranty on your new outdoor power equipment engine.

#### **California**

In California, new spark-ignited small off-road equipment engines must be designed, built and equipped to meet the State's stringent anti-smog standards.

#### **Other States, U.S. Territories**

In other areas of the United States, your engine must be designed, built and equipped to meet the U.S. EPA emission standards for spark-ignited engines at or below 19 kilowatts.

#### **All of the United States**

**MAT Engine Technologies, LLC (METL)** must warrant the emissions control system on your power equipment engine for the periods of time listed below provided there has been no abuse, neglect or improper maintenance of your power equipment engine. Where a warrantable condition exists, **METL** will repair your power equipment engine at no cost to you including diagnosis, parts and labor.

### **Manufacturer's Warranty Coverage:**

The emissions control system is warranted for two years. If any emissions-related part on your engine is defective, the part will be repaired or replaced by **METL**.

#### **Owner's Warranty Responsibility**

As the power equipment engine owner, you are responsible for the performance of the required maintenance listed in your owner's manual. **METL** recommends that you retain all receipts covering maintenance on your power equipment engine, but **METL** can not deny warranty solely for the lack of receipts or for your failure to ensure the performance of all scheduled maintenance.

As the power equipment engine owner, you should however be aware that **METL** may deny your warranty coverage if your power equipment engine or a part has failed due to abuse, neglect, improper maintenance or unapproved modifications.

You are responsible for presenting your power equipment engine to a distribution center or service center authorized by **METL** as soon as the problem exists. The warranty repairs should be completed in a reasonable amount of time, not to exceed 30 days.

If you have any questions regarding your warranty rights and responsibilities, you should contact

MAT Engine Technologies, Inc.  
6700 Wildlife Way  
Long Grove, IL 60047  
Tel: 1-800-737-2112

# Warranty *(Continued)*

• Save all instructions

## Warranty Coverage:

**METL** warrants that the product engine is free from defects in materials and workmanship which cause such engine to fail to conform with the U.S. EPA or State of California emissions standards for small spark-ignited nonroad (off-road) engines – as applicable to your **METL** product. Small spark-ignited off-road engines manufactured after January 1, 1995 and sold in the State of California and U.S. EPA-certified small spark-ignited nonroad engines manufactured in model year 1997 or later and sold in all of the United States are covered by this Emission Control System Warranty for a period of two years from the date of delivery to the original purchaser. This Emission Control System Warranty is transferable to each subsequent purchaser for the duration of the warranty period. Emission Control System Warranty repairs or replacements will be made without charge for diagnosis, parts or labor. A list of warranted parts is provided below. Normal maintenance items, such as spark plugs, air filters and fuel filters that are included on the list of warranted parts are warranted only up to the first scheduled required replacement interval for such item, as set forth in the Operator's Manual. If any emission control system part is repaired or replaced under the Emission Control System Warranty, it shall be warranted for the remainder of the applicable warranty period. **METL** will also repair or replace other engine components damaged by a failure of any part covered by the Emission Control System Warranty during the Emission Control System Warranty Period. Only parts authorized and approved by **METL** may be used in the performance of any Emission Control System Warranty repairs or replacements and will be provided without charge to the owner. Unapproved, add-on, modified, counterfeit and/or "gray market" parts may not be used to modify or repair the **METL** engine. If such a part has been used in the repair or maintenance of your engine, and an **METL Authorized Service Center** determines it is defective or causes a failure of a part covered under the Emission Control System Warranty, your claim for repair of your engine or product may be disallowed. **METL** shall not be held liable hereunder for failures of any warranted parts caused by the use of such an unapproved, add-on, modified, counterfeit and/or "gray market" part.

## How to Obtain Warranty Service:

You must take your power equipment engine or the product on which it is installed, along with evidence of the date of the sale to the original purchaser, at your expense, to any **METL Authorized Service Center** during its normal business hours. To locate your nearest **METL Authorized Service Center**, call (800) 737-2112. The product owner shall be responsible for any expenses or charges incurred for service calls or transportation of the product or equipment engine to and from the **METL Authorized Service Center**, including any and all damages or losses incurred during such transportation or shipment.

## Exclusions:

Failures other than those resulting from defects in material or workmanship are not covered by this Emission Control System Warranty. This Emission Control System Warranty does not extend to emission control systems or parts which are affected or damaged by owner abuse, neglect, improper maintenance, misuse, mis-fueling, improper storage, accident and/or collision, the incorporation of, or any use of, any unapproved, add-on, modified, "graymarket" or counterfeit parts, unsuitable attachments, or the unauthorized alteration of any part. This Emission Control System Warranty does not cover the regular replacement of normal maintenance items made in connection with required maintenance services after the item's first scheduled replacement, as set forth in the Operator's Manual (e.g. spark plugs, air filters, fuel filters, etc...).

## Limitations of Liability:

**METL** disclaims any responsibility for loss of time or use of the engine, or the equipment in which the engine is installed, transportation, commercial loss, or any other incidental or consequential damage. Any implied warranties are limited to the duration of this written limited warranty. Some states do not allow limitations on how long an implied warranty lasts and/or do not allow the exclusion or limitation of incidental or consequential damages, so the above exclusions and limitations may not apply to you.

This warranty gives you specific legal rights, and you may also have other rights which vary from state to state.

# Warranty (Continued)

• Save all instructions

## Limitation of Liability (cont.):

<b>SYSTEMS COVERED BY THIS WARRANTY:</b>	<b>PARTS DESCRIPTION:</b>
Fuel Metering System	Carburetor assembly (if so equipped) and its internal components; fuel filter (if so equipped), carburetor gaskets, fuel pump (if so equipped)
Air Induction System	Intake pipe/ manifold, air cleaner
Ignition System	Spark plug <sup>1</sup> , ignition module / coil
Exhaust System	Catalytic muffler assembly (if so equipped), muffler gasket, exhaust manifold
Crankcase Breather Assembly	Breather connection tube
Miscellaneous Parts Used in Above Systems	Hoses, belts, connectors and assemblies
Evaporative Emissions Components <sup>2</sup>	Fuel line, fuel line fittings, clamps, fuel tank, carbon canister, canister mounting brackets, carburetor purge port connector
<sup>1</sup> Covered up to the first required replacement only. See the Maintenance Schedule	
<sup>2</sup> As applicable to your product engine emissions certifications	





# Manual del usuario **BORDEADORA 79 cc, 4 Ciclos**

Núm. de modelos. P-WLE-0799-F2N

## **Adentro encontrará:**

	Página
Definiciones de seguridad	23
Instrucciones de seguridad importantes	24-26
Especificaciones del producto	27
Piezas y características	27
Montaje	28
Preparación del motor	29-30
Uso	30-32
Mantenimiento	33-37
Diagnóstico y resolución de problemas	38
Servicio Técnico	39
Garantía	39-42



## **IMPORTANTE:**

Le agradecemos haber comprado la recortadora Powermate® Bordeadora.

Este manual le ofrece las instrucciones completas para operar y mantener seguramente la bordeadora. Lea y conserve estas instrucciones. Refiérase a este manual cada vez, antes de utilizar la bordeadora.

## **Anote lo siguiente como referencia:**

**Código de fecha de fabricación:** \_\_\_\_\_

**Fecha de compra:** adjunte una copia de su recibo de compra.

**Número gratuito de asistencia al consumidor: 1-800-737-2112**

## **⚠ ADVERTENCIA**

Este producto contiene productos químicos reconocidos por el Estado de California como causantes de cáncer, defectos de nacimiento u otros daños de reproducción.



Si tiene una duda o un problema...

**LLAME SIN COSTO AL: 1-800-737-2112**

**CONSERVE ESTE MANUAL COMO REFERENCIA**




# Definiciones de seguridad

• Guardar estas instrucciones

Instrucciones de seguridad importantes











## Símbolos de alerta para seguridad

Los símbolos siguientes se utilizan en el producto y en este manual para alertar al usuario sobre riesgos potenciales de seguridad. Leerlos detenidamente y entender su significado.





 <b>PELIGRO</b>	Indica una situación de riesgo inminente que, al no protegerse, provocará lesiones graves o la muerte.
 <b>ADVERTENCIA</b>	Indica una situación potencialmente peligrosa que, al no protegerse, podría provocar lesiones graves o la muerte.
 <b>CUIDADO</b>	Indica una situación potencialmente peligrosa que, al no protegerse, podría causar lesiones leves o daños materiales.

Los símbolos siguientes se pueden encontrar en la bordeadora. Leerlos detenidamente y entender su significado.

## Símbolos de advertencia para seguridad

	Indica ADVERTENCIA, PELIGRO o CUIDADO.		Usar protección ocular que cumpla con la norma ANSI Z87.1 y protección auditiva.
	Leer el Manual del usuario antes de utilizar esta máquina. El no acatar las directrices podría conducir a lesiones graves.		Desconectar el cable de la bujía al no estar en uso o antes de reparar, limpiar o dar mantenimiento a la unidad.
	Objetos lanzados. Retirar toda roca, piedra y objeto extraño que pudiera ser lanzado por la máquina.		Los gases del escape del motor contienen monóxido de carbono, un gas inodoro y letal. JAMÁS hacer funcionar la unidad en espacios interiores o en un área con ventilación deficiente.
	Mantener a los circunstantes a una distancia segura. JAMÁS usar la máquina ante la presencia de niños.		NO tocar el silenciador caliente ni el cilindro. Estas piezas están extremadamente calientes durante el funcionamiento y podrían permanecer calientes durante un período de tiempo corto después del funcionamiento.
	La cuchilla rotativa puede causar lesiones graves. Mantener las manos y los pies alejados de la cuchilla.		Para reducir el riesgo de incendio, limpiar el combustible y aceite derramados y mantener la unidad libre de residuos. La gasolina es extremadamente inflamable. Dejar que la máquina enfríe antes de reabastecerla de combustible.

## Símbolos de control y funcionamiento

	<b>Ubicación para llenado de aceite.</b> No sobrellenar		<b>Ubicación para llenado de gasolina.</b>
	<b>Palanca de control de la profundidad</b> La posición de ARRANQUE es la posición más ADELANTADA  Mover la palanca HACIA ATRÁS para aumentar la profundidad de corte.		<b>Barra de control de arranque/paro</b> Soltar la barra para parar el motor. Enganchar la barra de control de arranque/paro para arrancar el motor y mantenerlo en marcha.
	<b>Estrangulador / Arranque en frío</b>		<b>Marcha / Arranque en caliente</b>
	Siempre verificar que los conductores a tierra estén conectados antes de poner la unidad en marcha		



# Instrucciones de seguridad importantes

• *Conserve todas las instrucciones*

## RESPONSABILIDAD DEL USUARIO

1. Leer detenidamente y seguir estas instrucciones de seguridad. Hacer caso omiso de éstas puede conducir a lesiones graves.
2. Conózcase el producto. Leer y entender este manual antes de utilizar la unidad. Comparar las ilustraciones con la unidad. Aprenderse la ubicación y la función de todos los controles. Un entendimiento exhaustivo de la unidad antes de utilizarla redundará en rendimiento y seguridad óptimos.
3. Seguir todas las instrucciones al montar la unidad. Si se compró la unidad ya montada, el usuario ha de revisar la unidad cuidadosamente para asegurarse de que se montó de conformidad con las instrucciones en el manual antes de utilizarla.
4. Inspeccionar la bordeadora periódicamente. Verificar que no haya piezas dobladas, dañadas o flojas.
5. Utilizar este equipo únicamente para su uso previsto.
6. Utilizar la unidad solo con protectores, pantallas y otros elementos de seguridad instalados y en buenas condiciones.
7. Dar mantenimiento a la unidad solo con piezas de repuesto autorizadas o aprobadas.
8. Completar la totalidad del mantenimiento de la unidad.

### **ADVERTENCIA**

La presencia de este símbolo señala precauciones de seguridad importantes. Significa: “¡Atención! ¡Ponte alerta! Tu seguridad está de por medio.”

### **ADVERTENCIA**

El gas de escape del motor, algunos de sus constituyentes y ciertos componentes de vehículos contienen o emiten sustancias químicas que, consta al Estado de California, producen cáncer y malformaciones congénitas u otros daños reproductivos.

### **ADVERTENCIA**

Para evitar el arranque accidental al montar, transportar, ajustar o efectuar reparaciones, siempre desconectar el cable de la bujía y colocarlo donde no pueda entrar en contacto con ésta.

## SEGURIDAD DURANTE LA PREPARACIÓN

### **ADVERTENCIA**

- Leer, entender y acatar todas las instrucciones en la máquina y en los manuales. Familiarizarse completamente con los controles y el uso apropiado de la bordeadora antes del arranque. Sépase cómo parar el motor rápidamente.
- Familiarizarse con todos los marbetes de seguridad y funcionamiento de este equipo.

### **ADVERTENCIA**

- Inspeccionar completamente el área en que se va a utilizar la bordeadora y retirar todo objeto extraño. Esta bordeadora puede lanzar objetos pequeños a gran velocidad y causar lesiones personales o daños a la propiedad. Mantenerse alejado de objetos frágiles, tales como ventanas de viviendas, parabrisas de automóviles, invernaderos, etc.
- Verificar que todas las tuercas y pernos estén apretados y que el equipo esté en buenas condiciones.

### **ADVERTENCIA**

- Siempre verificar que el cable de extinción esté conectado antes de arrancar el motor.

## SEGURIDAD DURANTE EL USO

- Jamás permitir que niños o adolescentes jóvenes utilicen la bordeadora.

### **ADVERTENCIA**

- Mantener el área de trabajo libre de circunstancias, particularmente niños pequeños y mascotas.
- Permitir solo a individuos responsables, familiarizados con las instrucciones, utilizar la bordeadora.

### **ADVERTENCIA**

- No utilizar la bordeadora bajo la influencia de alcohol, fármacos u otro medicamento que pudiera causar somnolencia o afectar la capacidad de utilizar la máquina de manera segura.

# Instrucciones de seguridad importantes *(la siguiente)*

## • *Conserve todas las instrucciones*

### **SEGURIDAD DURANTE EL USO *(la siguiente)***

- No utilizar esta máquina si se es mental o físicamente incapaz de utilizarla de manera segura.
- Al utilizar la bordeadora, siempre usar gafas de seguridad con pantallas laterales, homologadas por ANSI, para protegerse los ojos contra objetos extraños que pudieran ser lanzados por la unidad.
- Vestir indumentaria apropiada tal como una casquillo o chaqueta de manga larga. También, vestir pantalones largos. NO vestir pantalones cortos. NO vestir indumentaria holgada que pudiera atorarse en este equipo.
- Siempre vestir guantes de trabajo y calzado robusto tal como zapatos de cuero para trabajo o botas cortas. Éstos protegen los tobillos y la tibia contra palos pequeños, astillas y otros despojos lanzados. Asimismo, éstos mejoran la tracción.
- Es aconsejable vestir indumentaria para proteger la cabeza contra golpes de partículas pequeñas lanzadas, o contra golpes de ramas bajas, ramitas u otros objetos que pudieran pasar desapercibidos por el usuario.

#### **⚠ ADVERTENCIA**

- No colocar ni las manos ni los pies cerca de piezas rotativas o debajo de las mismas.
- Tener sumo cuidado al utilizar la bordeadora sobre o al cruzar accesos, andenes o caminos con grava. Mantenerse alerta por peligros ocultos o tránsito.

#### **⚠ ADVERTENCIA**

- Tener cuidado para no deslizarse o caerse. Siempre asegurar el apoyo de los pies; mantener una sujeción firme del asidero y caminar; jamás correr.
- Mirar hacia atrás y tener cuidado al retroceder.
- Jamás utilizar la bordeadora sin buena visibilidad o luz.

#### **⚠ PELIGRO**

- No poner en marcha el motor en espacios interiores o dentro de un área cerrada. Los gases del escape son peligrosos, contienen MONÓXIDO DE CARBONO, un GAS INODORO Y LETAL.
- Jamás dejar la bordeadora desatendida mientras el motor está en marcha. Parar el motor y asegurarse que todas las piezas móviles hayan parado. Desconectar el cable de la bujía.
- No sobrecargar la capacidad de la bordeadora al intentar un corte demasiado profundo a demasiada velocidad.
- Si la bordeadora comenzara a vibrar anormalmente, parar el motor, desconectar el cable de la bujía y evitar que éste haga contacto con la bujía. Tratar de identificar la causa inmediatamente. Generalmente, la vibración indica problemas.
- Tener cuidado con agujeros, zurcos, abultamientos u otro terreno escabroso. El pasto alto puede ocultar obstáculos.

### **SEGURIDAD DEL COMBUSTIBLE**

#### **⚠ ADVERTENCIA**

- La gasolina es extremadamente inflamable. Los vapores de gasolina pueden explotar si se los enciende. Manipularla con cuidado.
- Utilizar un contenedor aprobado.
- Revisar el suministro de combustible antes de cada uso, dejar espacio para expansión puesto que el calor del motor y/o el sol puede(n) causar la expansión del combustible.
- Llenar el tanque de combustible al aire libre, con sumo cuidado. Jamás llenar el tanque de combustible en espacios interiores.
- Jamás retirar la tapa del combustible ni abastecer combustible con el motor en marcha. Dejar que el motor enfríe antes de reabastecerlo de combustible.

#### **⚠ ADVERTENCIA**

- No fumar mientras se reabastece combustible.
- Después del reabastecimiento de combustible, colocar nuevamente la tapa del tanque de combustible de manera segura y enjuagar el combustible derramado.
- Jamás almacenar combustible o la bordeadora con combustible en el tanque dentro de un edificio donde los vapores podrían llegar a una llama abierta.

# Instrucciones de seguridad importantes *(la siguiente)*

- *Conserve todas las instrucciones*

## **SEGURIDAD DE ALMACENAMIENTO**

- Siempre consultar las instrucciones del Manual del usuario para obtener información importante pormenorizada si se va a guardar la bordeadora durante un período de tiempo prolongado.
- Jamás almacenar la bordeadora con combustible en el tanque dentro de un edificio donde haya fuentes de ignición tales como calentadores de agua, calentadores unitarios, secadoras de ropa, etc.
- Para reducir el riesgo de incendio, mantener la bordeadora libre de césped, hojas y acumulación de otros residuos.
- Dejar que el motor se enfríe antes de almacenarlo en cualquier recinto.

## **REPARACIÓN, MANTENIMIENTO Y SEGURIDAD DE AJUSTE**

- Después de golpear un objeto extraño, parar el motor. Desconectar el cable de la bujía y mantenerlo alejado de ésta para evitar un arranque accidental. Inspeccionar exhaustivamente la bordeadora para determinar si ha sufrido daños. Si está dañada, efectuar las gestiones para que un técnico capacitado la repare antes de arrancarla y utilizarla nuevamente.

### **⚠ ADVERTENCIA**

- Parar el motor antes de limpiar, reparar o inspeccionar la unidad. Verificar que todas las piezas móviles hayan parado. Dejar que el motor se enfríe. Desconectar el cable de la bujía y alejarlo de ésta.
- Jamás intentar ajuste alguno mientras el motor esté en marcha, excepto cuando así lo recomiende el fabricante específicamente.
- Mantener la bordeadora en condiciones de funcionamiento seguro. Revisar todos los sujetadores a intervalos frecuentes para una sujeción apropiada.
- Al dar mantenimiento a la bordeadora o repararla, no inclinar la máquina lateral o longitudinalmente a menos que así lo instruya este Manual específicamente. Los procedimientos de mantenimiento y reparación se pueden efectuar con la bordeadora en la posición vertical. Algunos procedimientos serán más fáciles si se coloca la máquina sobre una plataforma o superficie de trabajo elevada.
- Utilizar solo equipo original o piezas de repuesto autorizadas.

### **⚠ ADVERTENCIA**

- Jamás manipular imprudentemente los dispositivos de seguridad. Verificar el funcionamiento apropiado de los mismos periódicamente.
- No cambiar la configuración del regulador del motor ni sobreacelerar el motor.
- Limpiar y reemplazar los marbetes de seguridad e instrucciones según sea necesario.
- Para prevenir el sobrecalentamiento del motor, siempre tener el filtro de impurezas limpio e instalado en el motor instalado.

## **SEGURIDAD DE NIÑOS**

### **⚠ ADVERTENCIA**

- Accidentes trágicos pueden ocurrir si el usuario no está alerta a la presencia de niños. A menudo, los niños se ven atraídos por la bordeadora y el bordeado mismo.
- Mantener a los niños fuera del área de bordeado y bajo la supervisión de un adulto responsable.
- Jamás suponer que los niños permanecerán donde se los vio la última vez.
- Estar alerta y apagar la bordeadora si algún niño entra en el área.
- Antes de retroceder y mientras se retrocede, ver hacia atrás y hacia abajo para asegurarse que no haya niños.
- Jamás permitir que niños utilicen la bordeadora.
- Tener sumo cuidado al utilizar la bordeadora cerca de esquinas sin visibilidad clara, arbustos, árboles u otros objetos que pudieran obstruir la visión.

# ESPECIFICACIONES DE LA BORDEADORA

• *Conserve todas las instrucciones*

Peso de la unidad . . . . .	22.8 kg (50.3 lb.)	Salto de chispa de la bujía . . .	0.6-0.7 mm (0.024-0.028 in.)
Profundidades de corte . . . . .	0-63 mm (0-2.5 in.)	Tipo de motor . . . . .	4 tiempos OHV
Blade Diameter . . . . .	228 mm (9 in.), 2 point	Cilindrada . . . . .	79cc
Tipo de gasolina . . . . .	Regular Unleaded / 88 Octane (min.)	RPM . . . . .	3600 RPM
Capacidad de gasolina . . . . .	1.6L	Par de torsión nominal . . .	Par de torsión bruto de 4.75 N·m (3.5 pie·lbf) según SAE J1940
Tipo de aceite (API SG-SL) . . . . .		Diámetro interior x carrera . . .	.51.6X38 mm (2.03X1.50 in.)
Se recomienda 10W-30 para toda temperatura en servicio. Véase la página 29 para mayor información.		Huelgo de la válvula de admisión . . . . .	0.20-0.25 mm
Capacidad de aceite . . . . .	355 ml (12 oz)	Huelgo de la válvula de escape . . . . .	0.25-0.30 mm
Modelo de bujía . . . . .	Torch E7RTC	Ángulo de ignición . . . . .	25 Degrees

## Piezas y características

- 1. Barra de control de arranque/paro** Barra en el asidero que permite que la marcha del motor. Al soltársela, el motor parará.
- 2. Control del regulador** Restringe la admisión de aire. Esto permite una mezcla enriquecida de aire y combustible que ayuda a arrancar el motor.
- 3. Silenciador** Ubicación del escape del motor.
- 4. Empuñadura de arrancador de retroceso** El motor está provisto de un arrancador de retroceso de tiro cómodo.
- 5. Cuchilla** Elemento cortante rotativo.
- 6. Protector de la cuchilla** Evita el lanzamiento de piedras y despojos al operador.
- 7. Bujía / Cable de la bujía** Brinda la chispa para encender la mezcla de aire / combustible. Al dar mantenimiento a la unidad, es preciso desconectar y retirar el cable de la bujía.
- 8. Filtro de aire** Retira despojos y contaminantes del aire de admisión, para un funcionamiento uniforme del motor con un nivel de emisiones bajo.
- 9. Placa selectora de profundidad, 10. Palanca de control de la profundidad, 11. Varilla de control** Se la utiliza para controlar la profundidad de corte de la bordeadora
- 12. Terminales del cable de extinción** Es preciso que estén conectados para el funcionamiento correcto de la barra de control de arranque/paro.

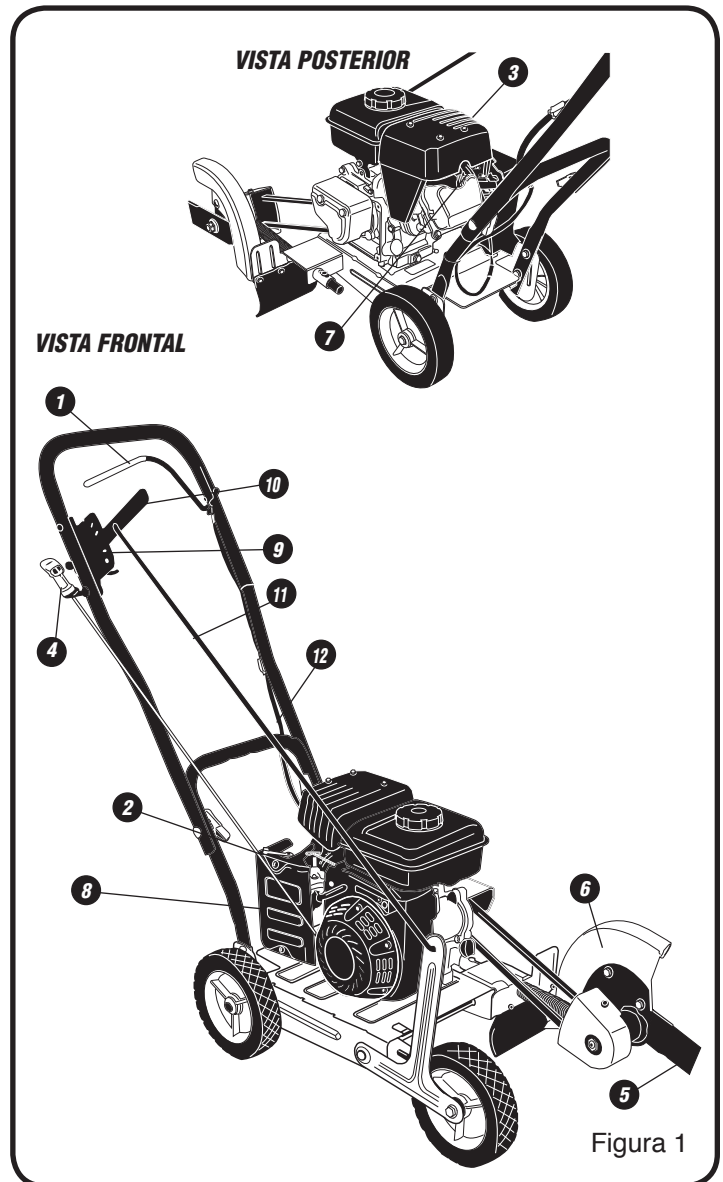


Figura 1

Instrucciones de seguridad importantes

# Montaje

## • Conserve todas las instrucciones

Leer y seguir las instrucciones de montaje. No descartar ninguna pieza ni materiales antes de concluirse el montaje de la unidad. Las referencias al lado derecho o izquierdo de la bordeadora toman como base el punto de vista del usuario ubicado detrás de la unidad.

### ⚠ **ADVERTENCIA**

No utilizar la bordeadora si ésta está averiada o no está armada completa y correctamente.

### ⚠ **ADVERTENCIA**

Antes de efectuar algún montaje o mantenimiento de la unidad, retirar el cable de la bujía.

### ⚠ **ADVERTENCIA**

Al montar la bordeadora, siempre usar gafas de seguridad con pantallas laterales, homologadas por ANSI.

En la caja se encontrarán los componentes siguientes.

Las cantidades se muestran entre paréntesis.

1. (1) Bordeadora
2. (1) Manual del usuario de la bordeadora
3. (1) Asidero superior
4. (1) Varilla de control
5. (1) Contenedor de aceite SAE 30 para motor
6. (1) Bolsa de piezas con el contenido siguiente:
  - (2) Chaveta de dos patas
  - (2) Tuercas plásticas de orejetas (M8)
  - (2) Pernos para tubo M8 x 35 mm
  - (1) Atadura de alambre
  - (1) Llave con varilla para bujía

### **A** **Cómo sacar la bordeadora de la caja**

1. Sacar todas las piezas y componentes de embalaje
2. Utilizar una cuchilla multiuso para cortar las cuatro esquinas verticales y colocar los costados de la caja sobre el piso, alrededor de la bordeadora.
3. Sacar el resto del embalaje
4. Rodar la unidad para sacarla de la caja y colocarla sobre una superficie firme a nivel.

### **B** **Cómo montar el asidero**

**NOTA:** Consultar la Figura 2 al seguir los pasos enumerados a continuación:

1. Montar el asidero superior sobre el asidero inferior con los dos (2) pernos para tubo y las dos (2) tuercas plásticas de orejetas (Véase la Figura 2). Apretar firmemente a mano las tuercas de orejetas.
2. Deslizar un extremo de la varilla de control en el agujero de la palanca de control de la profundidad. Asegurarla con una chaveta de dos patas.
3. Deslizar el otro extremo de la varilla de control a través del agujero del brazo del soporte de la rueda. Asegurarla con la segunda chaveta de dos patas.
4. Instalar la empuñadura del arrancador de retroceso a través de la guía de la cuerda, y encajarla en posición por torsión.
5. Retirar el inserto temporal del terminal del cable de extinción del motor.
6. Conectar los cables de extinción del motor y el asidero. Utilizar la atadura de alambre para asegurar el cable suelto al asidero.

### ⚠ **ADVERTENCIA**

ES NECESARIO conectar los cables de extinción para el funcionamiento correcto del motor. El no conectarlos puede conducir a lesiones graves.

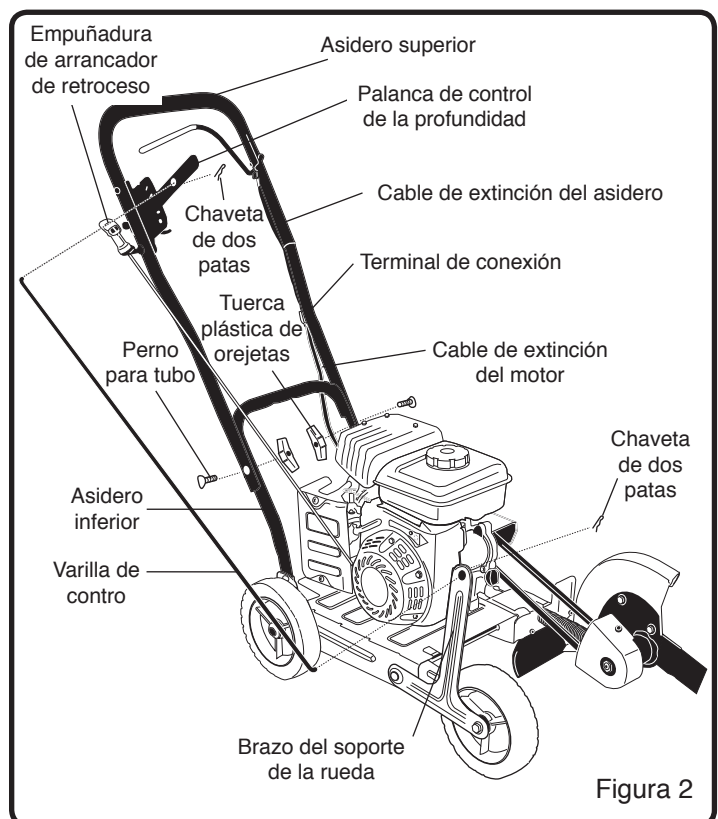


Figura 2

# Preparación del motor

• Conserve todas las instrucciones

## A Aceite de motor

### ⚠ CUIDADO

El motor se envía sin aceite. El no agregar aceite causará daños severos al motor.

Se incluye un envase de aceite utomotriz SAE 30 con la bordeadora. Consultar el diagrama a la derecha para obtener información sobre tipos alternativos de aceite a usarse a diferentes temperaturas. Siempre utilizar un aceite detergente de alta calidad clasificado «Para servicio SG, SH, SJ» o superior. No utilizar aditivos especiales.

### ⚠ CUIDADO

Siempre usar el tipo de aceite recomendado. El uso de aceite sucio o tipo de aceite incorrecto --tal como aceite para motores de dos tiempos-- acortará la vida útil del motor.

**NOTA:** La capacidad de aceite del motor es 355 ml. Para el primer llenado, sencillamente agregar al cárter del cigüeñal todo el contenido del envase de aceite provisto.

## CÓMO REVISAR EL ACEITE Y LLENAR HASTA EL NIVEL APROPIADO

### ⚠ ADVERTENCIA

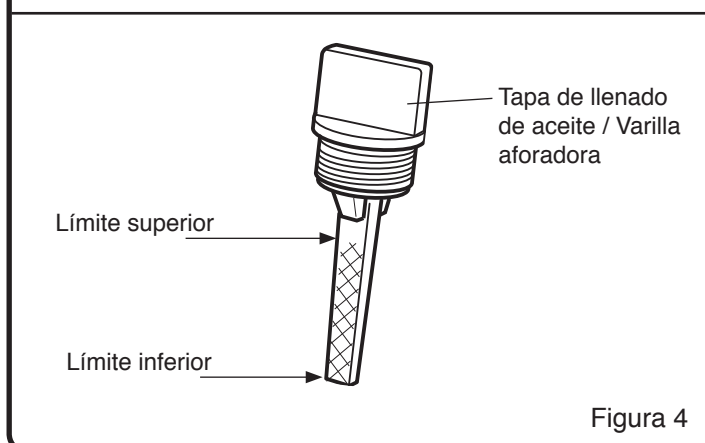
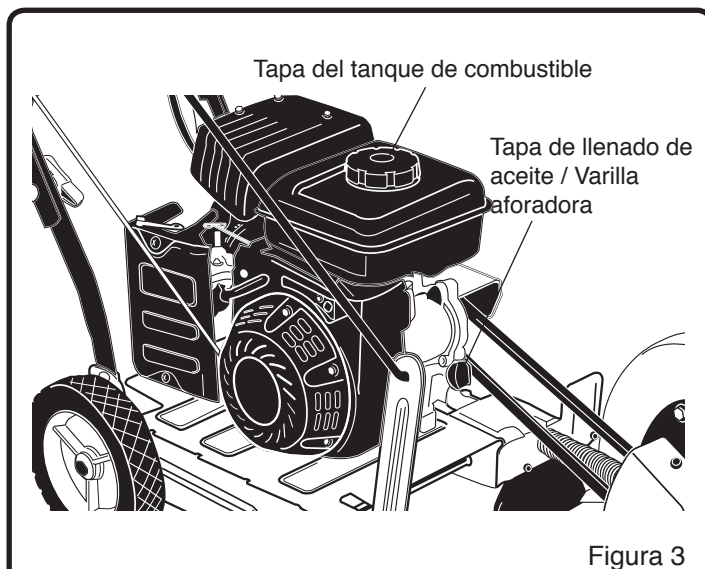
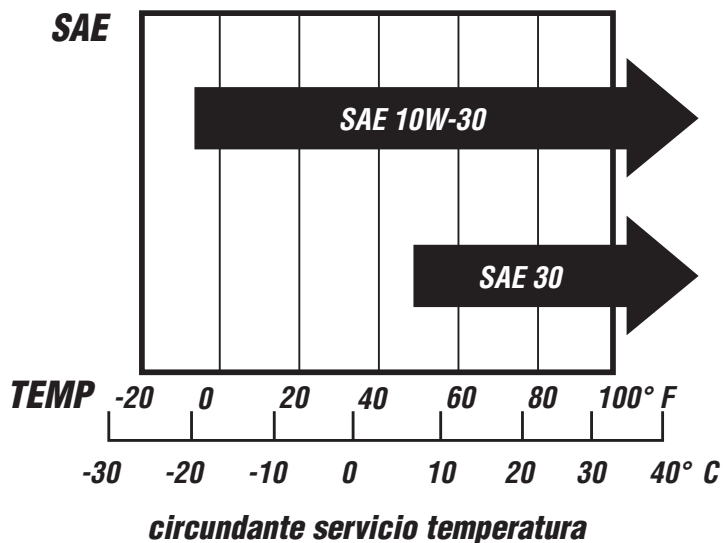
Antes de revisar el aceite, verificar que el motor esté apagado y que se haya desconectado de la bujía el cable de la misma.

1. Colocar la bordeadora en una superficie a nivel. Colocar la palanca de control de la profundidad en la primera profundidad de corte (Véase la Figura 7), y verificar que el bastidor de la bordeadora esté a nivel.
2. Retirar la tapa de llenado de aceite / varilla de aforar y enjuagarla con un paño. (Véase la Figura 3)
3. Colocar nuevamente la varilla de aforar en posición y NO enroscarla. Retirarla y revisar el nivel de aceite.
4. Al tenerse un nivel lleno de aceite, el aceite alcanzará el límite superior en la varilla aforadora. Si el nivel de aceite está cerca del límite inferior o por debajo de éste, se ha de agregar aceite. (Véase la Figura 4)
5. Agregar aceite lentamente hasta que el nivel del aceite alcance el límite superior de la varilla aforadora. Utilizar un embudo o boquilla para reducir derrames.

### ⚠ CUIDADO

Verificar el nivel de aceite frecuentemente durante el llenado. NO SOBRELLENAR. NO SUBLLENAR. Hacer marchar el motor con un nivel inadecuado de aceite causará daños severos al motor.

6. Colocar la varilla aforadora en posición y apretarla.
7. Limpiar todo aceite derramado.



# Preparación del motor (la siguiente)

• **Conserve todas las instrucciones**

## **B** Combustible

### **⚠ ADVERTENCIA**

- La gasolina es extremadamente inflamable y los vapores pueden explotar si se inflaman. Manipularla con cuidado.
- Utilizar un contenedor aprobado.
- Mantener la gasolina en un área bien ventilada, alejada de chispas, llamas abiertas u otras fuentes de ignición.
- Mantener la gasolina fuera del alcance de niños.

Usar gasolina fresca, limpia, regular, sin plomo, de 88 octanos como mínimo.

NO usar gasolina con plomo, gasohol, metanol ni combustible diésel. No mezclar el aceite con gasolina. NO permitir que la gasolina se contamine con polvo, agua o despojos.

### **⚠ CUIDADO**

El uso de un tipo incorrecto de combustible o de combustible contaminado causará daños severos al motor.

**NOTA:** La capacidad del tanque de combustible es aproximadamente 1.6 l (1.69 cuartos)

## **CÓMO LLENAR EL MOTOR CON COMBUSTIBLE**

### **⚠ ADVERTENCIA**

- Apagar el motor y dejarlo enfriar durante varios minutos antes de quitar la tapa de combustible o agregar combustible.
- Jamás llenar el tanque de combustible en espacios interiores.
- No fumar durante el abastecimiento de combustible.

1. Limpiar la superficie alrededor de la tapa de combustible para evitar contaminación. (Véase la Figura 3)
2. Aflojar la tapa del combustible lentamente. Después de retirar la tapa, colocarla sobre una superficie limpia.
3. Verter el combustible en el tanque. Tener cuidado para evitar derrames.

### **⚠ ADVERTENCIA**

NO SOBRELLENAR con combustible. Dejar espacio para que el combustible se expanda debido al calor del motor y/o del sol.

4. Antes de colocar nuevamente la tapa de combustible, inspeccionar y limpiar el sello de la tapa de combustible.
5. Colocar nuevamente la tapa de combustible y apretarla a mano de manera segura.
6. Limpiar todo combustible derramado.

## **Uso**

• **Conserve todas las instrucciones**

## **A** Antes de arrancar el motor

### **⚠ ADVERTENCIA**

Antes de arrancar el motor, leer el Manual del usuario. Familiarizarse con la ubicación y función de todos los controles. Sépase cómo parar el motor rápidamente.

### **⚠ ADVERTENCIA**

Antes de arrancar el motor, verificar que se hayan conectado los terminales de los cables de extinción.

Antes de intentar arrancar el motor, revisar los pasos siguientes:

1. Se ha montado la unidad según todas las instrucciones de montaje.
2. Los terminales de los cables de extinción están conectados.
3. Se ha inspeccionado la unidad para determinar si hay piezas averiadas o faltantes.
4. No hay piezas restantes en la caja.

# Uso

• **Conserve todas las instrucciones**

## **A** Antes de arrancar el motor (la siguiente)

5. El aceite del motor está al nivel apropiado.
6. Se ha abastecido el tanque de combustible con gasolina fresca, limpia, regular, sin plomo.
7. El cable de la bujía está conectado a la bujía.
8. Se ha movido la bordeadora a la ubicación deseada.
9. La bordeadora está en una superficie a nivel.

## **B** Cómo arrancar el motor

### **⚠ PELIGRO**

Jamás hacer funcionar el motor en espacios interiores o en un área con ventilación deficiente. Los gases del escape del motor contienen monóxido de carbono, un gas inodoro y letal.

### **⚠ ADVERTENCIA**

Los despojos lanzados por la bordeadora pueden causar lesiones oculares graves. Siempre utilizar gafas protectoras o pantallas oculares que cumplan las normas ANSI al utilizar la bordeadora. Si se usa anteojos, colocar una máscara protectora de visión amplia, certificada por OSHA, sobre los anteojos. over your eyeglasses.

1. Revisar **TODOS** los pasos en la sección “ANTES DE ARRANCAR EL MOTOR”. En particular, verificar que:
  - a. La unidad esté montada correctamente
  - b. Los terminales de los cables de extinción están conectados.
  - c. El aceite del motor está al nivel apropiado.
  - d. Se haya abastecido gasolina fresca, sin plomo
  - e. El cable de la bujía esté conectado a la bujía

2. Mover la palanca de control de la profundidad a la posición de arranque. (Véase la Figura 6).
3. Rotar el regulador a la posición CHOKE (ESTRANGULAMIENTO). (Véase la Figura 5)

**NOTA:** No es necesario al arrancarse nuevamente un motor caliente.

4. Sujetar firmemente el asidero de la bordeadora con la mano izquierda y tirar de la barra de control de arranque/paro contra el asidero. (Véase la Figura 6).

**NOTA:** El motor no arranca si la barra de control de arranque/paro no está halada hacia atrás contra el asidero.

5. Asir firmemente la empuñadura del arrancador de retroceso con la mano derecha. (Véase la Figura 6).
6. Tirar del arrancador de retroceso lentamente hasta sentir tensión en la cuerda del arrancador. Luego, tirar rápidamente de la empuñadura del arrancador de retroceso para desarrollar completamente la cuerda del arrancador. **NO** permitir que la cuerda del arrancador retroceda violentamente. Dejar que la cuerda del arrancador se reenrolle lentamente.

### **⚠ ADVERTENCIA**

Durante el uso, mantener a todo circunstante, especialmente NIÑOS, alejados

**IMPORTANTE:** El sistema de escape de esta unidad está rovido de un silenciador con supresor de chispas. La manipulación imprudente o el retiro del supresor de chispas viola la sección 442 del California Public Resources Code (Código de Recursos Públicos de California) así como también otras leyes estatales y federales pertinentes.

7. Después del arranque del motor, esperar de 2 a 5 segundos y rotar el regulador nuevamente hacia la posición RUN (MARCHA).
8. Si el motor no arranca después de 5 ó 6 intentos, ver la instrucción en la “Tabla de diagnóstico y resolución de problemas”.

### **⚠ ADVERTENCIA**

Mantener las manos, los pies, el cabello, y la ropa holgada alejados de toda pieza móvil. No tocar el silenciador y las áreas circundantes: las temperaturas podrían ser superiores a 65.6 °C (150 °F). Mantener todos los dispositivos y pantallas de seguridad en posición.



Figura 5

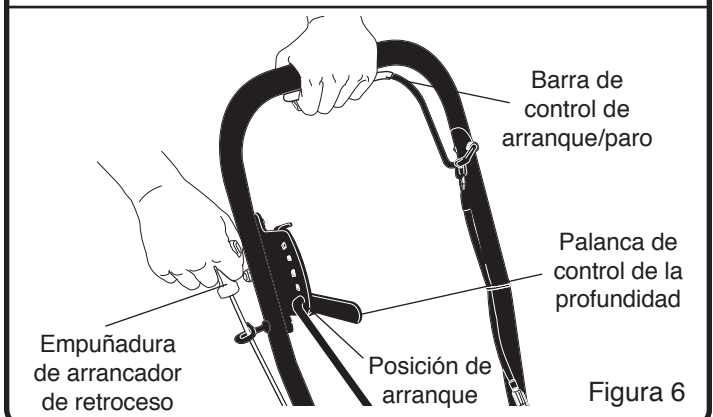


Figura 6



## Uso (la siguiente)

- Conserve todas las instrucciones

### **C** Cómo parar la bordeadora

Soltar la barra de control de arranque/paro. Esto conectará a tierra el extinguidor y parará el motor.

### **⚠** ADVERTENCIA

Es preciso conectar los terminales de los cables de extinción de manera segura para que la barra de control de arranque/paro funcione. Consultar la sección “Cómo montar el asidero”.

### **D** Cómo ajustar la profundidad de corte

Mover la palanca de control de la profundidad hacia atrás para aumentar la profundidad de corte. (Véase la Figura 7)

**NOTA:** Hay 4 selecciones de profundidad de corte, desde aproximadamente el nivel del terreno hasta una profundidad de 63 mm (2.5 pulgadas).

### **⚠** CUIDADO

No sobrecargar la capacidad de la bordeadora al intentar bordear a demasiada profundidad a gran velocidad. Para bordear a valores más profundos, efectuar múltiples cortes, después de cortar a profundidades menores inicialmente.

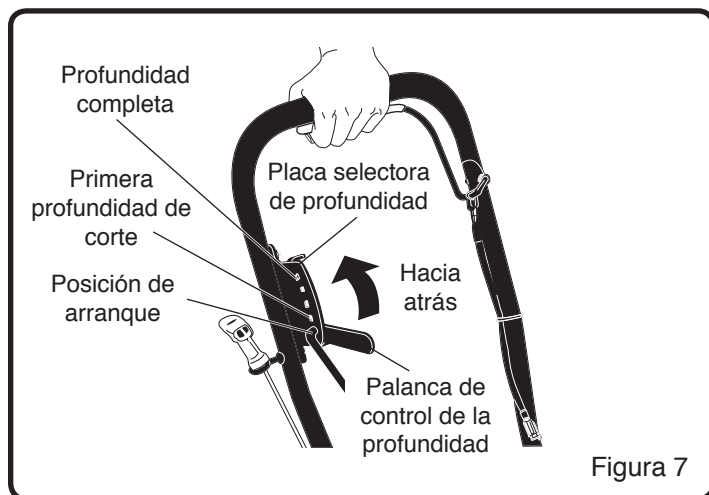


Figura 7

### CONSEJOS PARA BORDEAR

### **⚠** ADVERTENCIA

Leer el Manual del usuario. Conocer la ubicación y las funciones de todos los controles. Mantener todos los dispositivos y pantallas de seguridad en posición. Jamás permitir que niños o adultos sin la instrucción adecuada utilicen la bordeadora. Apagar el motor antes de limpiar obstrucciones de la cuchilla o efectuar reparaciones. Mantener a los circunstantes alejados de la máquina. Mantenerse alejado de la cuchilla y de todas las piezas móviles, las cuales pueden causar lesiones.

- Un entorno seco presenta las mejores condiciones para bordear. Si el suelo está demasiado húmedo, la tierra se compacta en torno a la cuchilla, lo cual conduce a un desgaste prematuro de la faja y a un menor rendimiento.
- Si hay acumulación de suciedad alrededor de la cuchilla, parar el motor y retirar el cable de la bujía. Retirar la suciedad y despojos compactados de la cuchilla.
- Para bordeado profundo, primero efectuar cortes superficiales. Luego, cortar a mayores profundidades hasta obtenerse la profundidad deseada.
- Se puede personalizar el bordeado mediante la variación del número de pasadas y mediante la distancia entre la cuchilla y la superficie.

# Mantenimiento

• Conserve todas las instrucciones

## A Programa de mantenimiento

### ⚠ ADVERTENCIA

Antes de cualquier mantenimiento, apagar el motor y retirar el cable de la bujía para evitar un arranque accidental y lesiones graves.

**IMPORTANTE:** La garantía de esta bordeadora no cubre elementos que se hayan visto sujetos a uso indebido o negligencia por parte del usuario. Para recibir el monto completo de la garantía, el usuario ha de dar mantenimiento a la bordeadora como se indica en este manual, y sólo ha de utilizar piezas de repuesto genuinas. La tabla siguiente presenta el mantenimiento periódico requerido.

### PROGRAMA DE MANTENIMIENTO PERIÓDICO

<i>Registros de mantenimiento: incluir las fechas a medida que se efectúa el mantenimiento periódico</i>	<i>Después de cada uso</i>	<i>Después de 10 horas de uso</i>	<i>Después de 25 horas de uso</i>	<i>Después de 50 horas de uso</i>	<i>Después de 100 horas de uso</i>	<i>Antes de cada temporada</i>	<i>Antes del almacenamiento</i>	<i>Véase la nota a continuación</i>
Revisar el nivel de aceite del motor, llenar al nivel apropiado	✓					✓		
Verificar la conexión de los conectores de AMBOS cables de extinción	✓					✓		
Eliminar todo despojo de la unidad	✓					✓	✓	
Lubricar todos los puntos de pivote		✓				✓	✓	
Revisar el apriete de los sujetadores		✓				✓		<b>1</b>
Revisar la faja de impulsión Reemplazar si fuera necesario		✓				✓		
Revisar la cuchilla para determinar si hay desgaste o daños Reemplazar si fuera necesario		✓				✓		
Revisar la tubería del combustible Reemplazar si fuera necesario			✓			✓		
Lubricar los ejes de las ruedas			✓			✓	✓	
Revisar la bujía Reemplazar si fuera necesario			✓			✓		
Cambiar el aceite del motor				✓		✓	✓	<b>2,3</b>
Limpiar el filtro de aire Reemplazarlo si está muy sucio			✓			✓		<b>4</b>
Reemplazar la bujía					✓			
Limpiar los depósitos de combustión del cilindro, el pistón y las válvulas					✓			

### ⚠ CUIDADO

#### NOTAS IMPORTANTES sobre el programa de mantenimiento

1. Revisar nuevamente al apriete del sujetador después de las primeras 2 horas del uso inicial.
2. Cambiar el aceite del motor después de las primeras 5 a 8 horas del uso inicial.
3. Cambiar el aceite después de cada 25 horas de operación bajo carga pesada o en temperaturas altas.
4. Limpiar el filtro de aire después de cada 10 horas de operación bajo condiciones de mucho polvo.

### ⚠ ADVERTENCIA

Utilizar sólo piezas de repuesto GENUINAS. Otras piezas podrían averiar la unidad o causar lesiones.

# Mantenimiento (la siguiente)

• Conserve todas las instrucciones

## **B** Lubricación

Añada una pequeña cantidad de petróleo de motor para lubricar puntos de pivote y partes.

Consultar la “Tabla de programa de mantenimiento periódico” para obtener los intervalos de tiempo para lubricación de piezas.

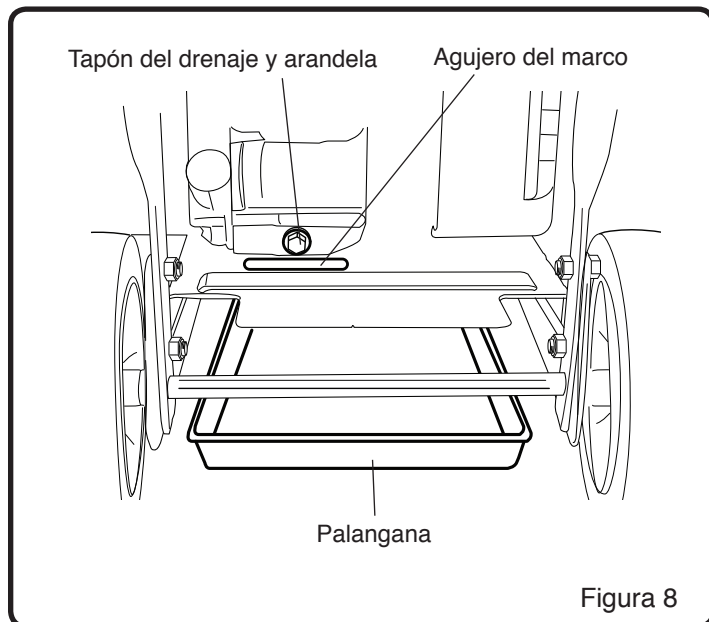
## **C** Cómo cambiar el aceite del motor

**NOTA:** Consultar la Figura 8 al seguir los pasos enumerados a continuación:

1. Apagar el motor que ha estado funcionando (motor caliente) y dejarlo enfriar durante 5 minutos.
2. Desconectar el cable de la bujía de la bujía.
3. Colocar la palanca de control de la profundidad en la posición de arranque (Véase la Figura 7). Esto inclinará levemente el bastidor y el motor hacia atrás.
4. Insertar una palangana bajo de la bordeadora, debajo del tapón de drenaje del aceite y del agujero del marco.
5. Retirar la varilla aforadora. (Véase la Figura 3)
6. Retirar el perno y la arandela del drenaje del aceite.
7. Permitir que todo el aceite drene a través del agujero del marco hacia la palangana.

**IMPORTANTE:** El aceite usado es un desecho peligroso. Colocar el aceite en un contenedor sellado y llevarlo al centro de reciclaje local. NO descartarlo con los desechos domésticos.

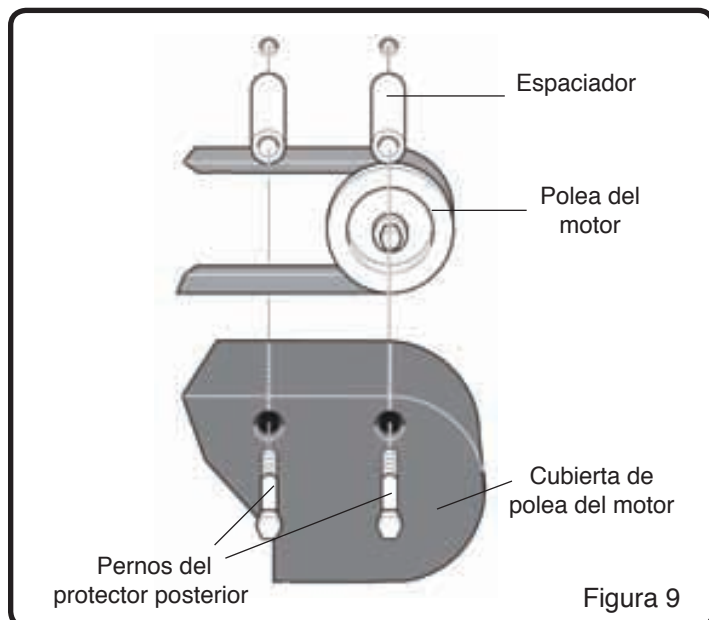
8. Colocar nuevamente y apretar el tapón del drenaje de aceite y la arandela.
9. Para rellenar el motor con aceite, ver la sección de preparación del motor “Cómo revisar el aceite y llenar hasta el nivel apropiado.”



## **D** Cómo reemplazar la faja

**IMPORTANTE:** Utilizar sólo fajas de repuesto del fabricante. Para hacer pedidos de piezas de repuesto, llamar al 1-800-737-2112.

1. Desconectar el cable de la bujía de la bujía.
2. Retirar los dos pernos del protector posterior para retirar la cubierta de la polea del motor. (Véase la Figura 9).



# Mantenimiento *(la siguiente)*

• **Conserve todas las instrucciones**

## **D** *Cómo reemplazar la faja (la siguiente)*

3. Retirar los dos tornillos del protector delantero y el protector de la faja. (Véase la Figura 10).
4. Empujar el brazo de la cuchilla hacia la unidad para comprimir el resorte del brazo de la cuchilla y aflojar la faja. **CONSEJO:** esto se puede lograr con una correa de amarre con trinquete. Siempre seguir las instrucciones del fabricante de la correa.
5. Retirar la faja gastada del motor y polea del conjunto del manguito. Reemplazarla con una faja de equipo original.
6. Para instalar una faja de repuesto del fabricante, invertir los pasos anteriores.
  - Se deben apretar los pernos del protector posterior a 18-22 N·m [13-16 lbf·pie]
  - Se deben apretar los tornillos del protector delantero a 6-8 N·m [4-6 lbf·pie]

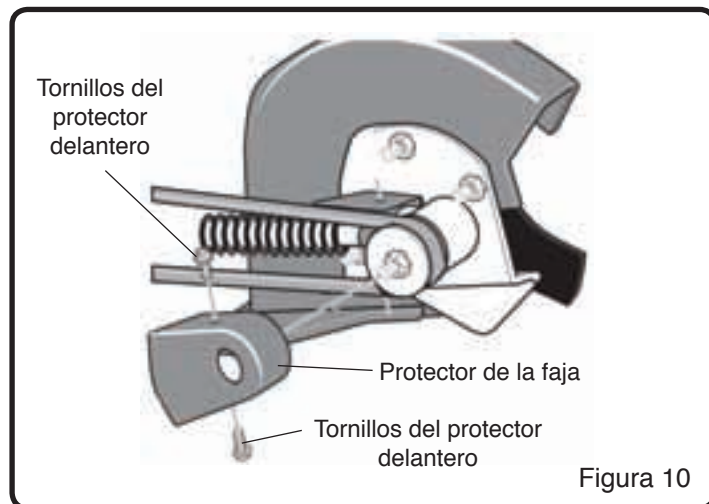


Figura 10

## **E** *Cómo cambiar la cuchilla*

### **ADVERTENCIA**

No afilar la cuchilla. El afilado puede dañar la cuchilla y causar la rotura de la misma, lo cual puede causar lesiones al usuario u otros.

La cuchilla está sujeta a mellas, rayaduras y abolladuras, que generalmente no afectan su funcionamiento. También, la cuchilla está sujeta a desgaste, lo cual reduce la profundidad de corte. Reemplazar una cuchilla gastada mediante los pasos siguientes:

**IMPORTANTE:** Utilizar sólo fajas de repuesto del fabricante. Para hacer pedidos de piezas de repuesto, llamar al 1-800-737-2112.

**NOTA:** El reemplazo de la cuchilla requiere dos (2) llaves ajustables de 12 pulgadas o dos (2) llaves de 19 mm [3/4 de pulgada].

1. Apagar el motor.
2. Desconectar el cable de la bujía de la bujía.
3. Retirar la contratuerca de la cuchilla que sujeta la cuchilla al eje de impulsión. (Véase la Figura 11)

### **ADVERTENCIA**

Para retirar o apretar la contratuerca de la cuchilla, siempre utilizar el método mostrado en la Figura 11. Siempre colocar la llave de sujeción sobre la tuerca detrás de la cuchilla.

4. Retirar la cuchilla.
5. Reemplazarla con una cuchilla nueva del fabricante mediante la inversión de los pasos anteriores.

**NOTA:** Apretar la contratuerca de la cuchilla a 47-61 N·m (35-45 ft·lbf)

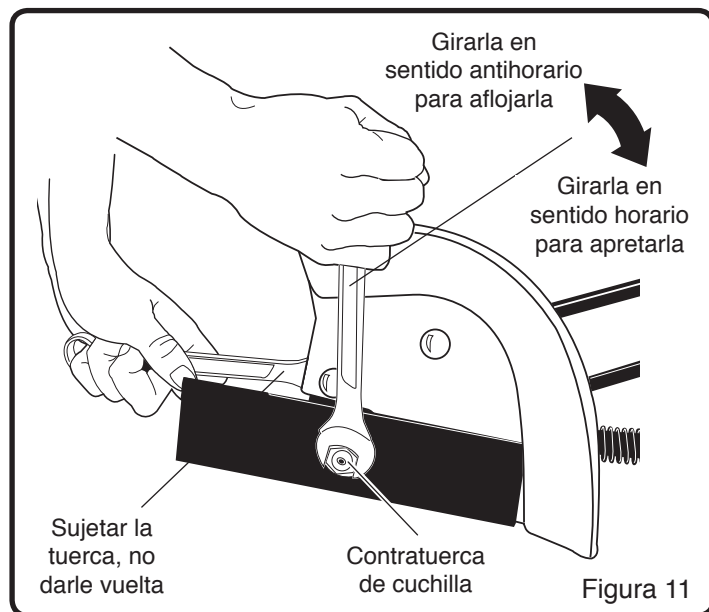


Figura 11

# Mantenimiento *(la siguiente)*

• **Conserve todas las instrucciones**

## **F** **Cómo limpiar al filtro de aire**

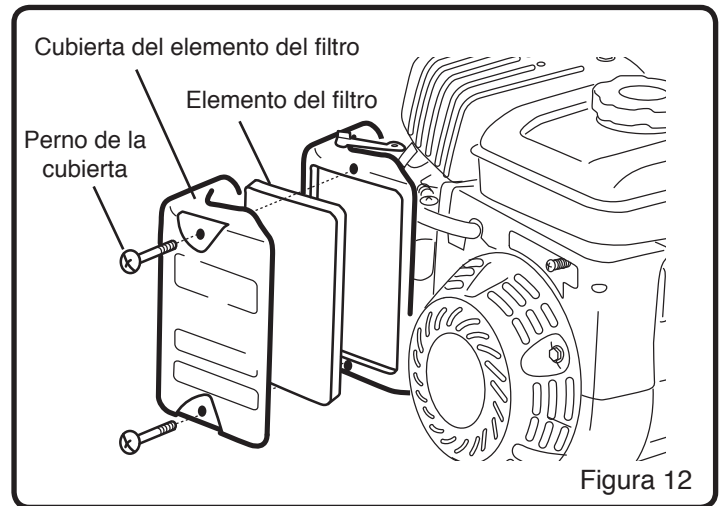
Un filtro de aire sucio restringirá la toma de aire. El mantenimiento periódico del filtro de aire contribuirá a mejorar el rendimiento del motor y a reducir las emisiones.

### **⚠ ADVERTENCIA**

**NOTA:** Consultar la Figura 12 al seguir los pasos enumerados a continuación:

No limpie nunca el filtro de aire con gasolina o con un solvente que se inflame fácilmente, porque podría causar una explosión.

1. Quite los pernos de la cubierta del filtro de aire.
2. Quite la cubierta del filtro de aire.
3. Retire cuidadosamente el elemento del filtro para evitar que caiga suciedad en el carburador.
4. Limpie todas las piezas. Lave el elemento del filtro en un solvente ininflamable o de punto de ebullición elevado y deje que se seque completamente; sumerja el elemento del filtro en aceite limpio y exprímalo hasta eliminar todo el exceso de aceite.
5. Reinstale el elemento del filtro.
6. Coloque de nuevo la cubierta del filtro de aire y apriete los pernos.



## **G** **Cómo revisar la bujía**

**Modelo de bujía: Torch E7RTC**

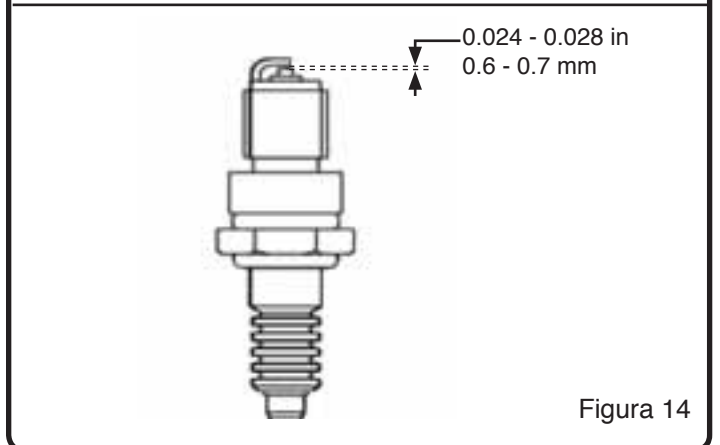
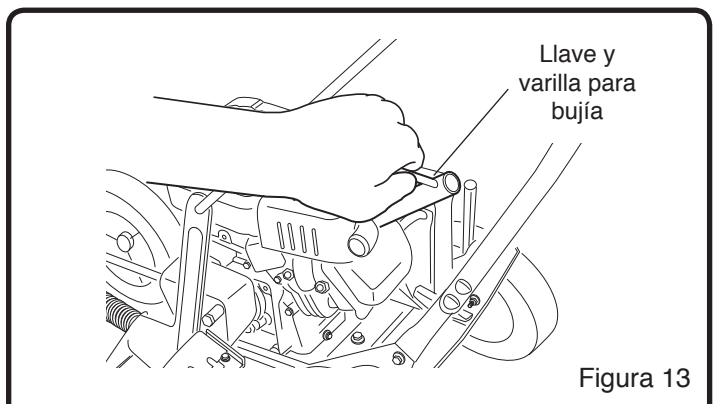
### **⚠ CUIDADO**

Sólo usar la bujía recomendada o una bujía con el mismo intervalo de temperatura. El uso de una bujía inadecuada, un salto de chispa incorrecto o una bujía sucia u hollinada puede reducir el rendimiento del motor y causar averías.

1. Parar el motor y dejarlo enfriar.
2. Retirar de la bujía el cable de la bujía.
3. Retirar la bujía con la llave y varilla para bujías (incluida con la bordeadora) para retirar la bujía. (Véase la Figura 13)
4. Inspeccionar visualmente la bujía para determinar si tiene grietas o daños. Si está agrietada, reemplazarla.
5. Limpiar los depósitos de carbono. Si hay acumulación excesiva de carbono, reemplazar la bujía.
6. Verificar que el salto de chispa de la bujía sea de 0.6 a 0.7 mm (0.024 a 0.028 pulgadas). (Véase la Figura 14)
7. Reinsertar la bujía y apretarla con la llave y varilla para bujías. (Véase la Figura 13)

**NOTA:** el par de torsión de la bujía es de 25 a 30 N-m (18 a 22 pie-libra)

8. Reconectar el cable de la bujía a la bujía.



# Mantenimiento *(la siguiente)*

• **Conserve todas las instrucciones**

## **H** **Cómo prepararla para almacenamiento**

### **⚠ ADVERTENCIA**

Jamás almacenar la bordeadora en espacios interiores con combustible en el tanque. Jamás almacenarla en un recinto cerrado, mal ventilado donde las emanaciones pudieran llegar a una llama abierta, una chispa o una luz piloto como la de un horno, calentador de agua o secadora de ropa. Dejar que el motor enfríe antes de almacenar la unidad.

### **⚠ ADVERTENCIA**

No retirar la gasolina dentro de un edificio, cerca de una llama o mientras se fuma. Los vapores de la gasolina pueden causar una explosión o incendio.

**NOTA:** Una revisión anual o afinado en un centro de servicio autorizado servirá para asegurarse que la bordeadora brindará el máximo rendimiento en la siguiente temporada.

Cuando la bordeadora esté en almacenamiento durante treinta o más días, se deben seguir los pasos siguientes para asegurarse que la bordeadora esté en buenas condiciones para la temporada siguiente.

1. Dejar que el motor marche hasta agotarse la gasolina.
2. Cambiar el aceite. Para ello, seguir las instrucciones bajo “Cómo cambiar el aceite”.
3. Retirar la bujía del cilindro. Verter una onza de aceite en el cilindro. Lentamente, tirar de la empuñadura de retroceso para que el aceite proteja al cilindro. Instalar una bujía nueva en el cilindro. Tirar del arrancador de retroceso lentamente hasta sentir tensión en la cuerda del arrancador. Esto cerrará las válvulas del cilindro.

### **⚠ ADVERTENCIA**

NO conectar el cable de la bujía a la bujía al almacenar la unidad.

4. Limpiar la bordeadora. Retirar toda suciedad, hojas, despojos, grasa, etc. de la bordeadora, incluyendo las aletas de enfriamiento del cilindro, agujeros de la cubierta del arrancador de retroceso, bajo el tanque de combustible y bajo el silenciador.
5. Revisar la bordeadora para determinar si hay piezas gastadas o dañadas. Hacer que las piezas dañadas sean reemplazadas, si fuera necesario.
6. Apretar todo herraje flojo.
7. Aplicar lubricación como lo indica la sección Mantenimiento.
8. Poner la unidad en un edificio que tenga buena ventilación.
9. Cubrir el motor con un material transpirante.

### **⚠ CUIDADO**

No cubrir la bordeadora con plástico. El plástico atrapa la humedad y causa herrumbre.

# Diagnóstico y resolución de problemas

• Conserve todas las instrucciones

PROBLEMA	CAUSAS POSIBLES	SOLUCIONES
Dificultad para arrancar el motor	<ol style="list-style-type: none"> <li>1. Falta de combustible</li> <li>2. La barra de control de arranque/ paro no está comprimida</li> <li>3. Estrangulador en la posición "Marcha / Arranque en caliente"</li> <li>4. Cable de la bujía desconectado</li> <li>5. Bujía hollinada</li> <li>6. Carburador sucio</li> <li>7. Filtro de aire obstruido</li> <li>8. Filtro de combustible obstruido</li> <li>9. Combustible contaminado</li> </ol>	<ol style="list-style-type: none"> <li>1. Agregar combustible fresco.</li> <li>2. Tirar de la barra de control de arranque/ paro hacia el asidero.</li> <li>3. Rotar la palanca del estrangulador a la posición "Estrangulador / Arranque en frío".</li> <li>4. Conectar a la bujía el cable de la misma</li> <li>5. Retirar la bujía. Inspeccionarla. Reemplazarla si fuera necesario.</li> <li>6. Llevar la unidad a un centro de servicio autorizado para limpieza del carburador.</li> <li>7. Retirar y limpiar el filtro de aire.</li> <li>8. Retirar el filtro del combustible. Inspeccionarlo. Reemplazarlo si fuera necesario.</li> <li>9. Drenar el tanque del combustible. Limpiarlo. Llenarlo con combustible fresco.</li> </ol>
<p><u>Problemas del motor</u> El motor emite humo excesivamente La marcha del motor es muy "irregular". Marcha errática del motor El motor no puede mantener velocidad plena</p>	<ol style="list-style-type: none"> <li>1. Sin aceite de motor</li> <li>2. Nivel inadecuado del aceite del motor</li> <li>3. Bujía hollinada</li> <li>4. Filtro de aire obstruido</li> <li>5. Filtro de combustible obstruido</li> <li>6. Combustible contaminado</li> <li>7. Carburador desajustado</li> <li>8. Estrangulador en la posición "Estrangulador / Arranque en frío"</li> </ol>	<ol style="list-style-type: none"> <li>1. Agregar aceite para motor</li> <li>2. Revisar el aceite del motor. Agregar o drenar aceite para motor si fuera necesario.</li> <li>3. Retirar la bujía. Inspeccionarla. Reemplazarla si fuera necesario.</li> <li>4. Retirar y limpiar el filtro de aire.</li> <li>5. Retirar el filtro del combustible. Inspeccionarlo. Reemplazarlo si fuera necesario.</li> <li>6. Drenar el tanque del combustible. Limpiarlo. Llenarlo con combustible fresco.</li> <li>7. Llevar la unidad a un centro de servicio autorizado para ajuste del carburador.</li> <li>8. Rotar la palanca del estrangulador a la posición "Marcha / Arranque en caliente".</li> </ol>
Vibración excesiva / ruido	<ol style="list-style-type: none"> <li>1. Piezas flojas</li> <li>2. Engine problems (above)</li> </ol>	<ol style="list-style-type: none"> <li>1. Apretar todos los sujetadores</li> <li>2. Consultar las soluciones para el motor (arriba)</li> </ol>
La cuchilla no gira	<ol style="list-style-type: none"> <li>1. Los despojos interfieren con la cuchilla</li> <li>2. Cuchilla floja</li> <li>3. Faja holgada</li> </ol>	<ol style="list-style-type: none"> <li>1. Retirar los despojos alrededor de la cuchilla</li> <li>2. Apretar la tuerca de la cuchilla.</li> <li>3. Reemplazar la faja</li> </ol>
El motor no para	Los terminales de los cables de extinción están desconectados.	Conectar los terminales de los cables de extinción en el asidero y el motor.
La cuchilla no corta apropiadamente	Cuchilla dañada o gastada	Reemplazar la cuchilla.
Paro frecuente del motor	<ol style="list-style-type: none"> <li>1. Velocidad / profundidad excesiva de bordeado</li> <li>2. Problemas del motor (arriba)</li> </ol>	<ol style="list-style-type: none"> <li>1. Bordes a ritmo moderado. Efectuar cortes múltiples.</li> <li>2. Consultar las soluciones para el motor (arriba)</li> </ol>

## Servicio técnico

Si se tuvieran preguntas adicionales sobre el montaje, operación o mantenimiento de esta BORDEADORA, se puede contactar a nuestro Departamento de Servicio Técnico al 1-800-737-2112 (solo inglés).

Puede también escribir a:

**Sede social METL - SOLAMENTE CORRESPONDENCIA**

**ATTN: Servicio técnico – METL**

**6700 Wildlife Way**

**Long Grove, IL 60047**



**Si necesita ayuda o tiene una duda,  
LLAME SIN COSTO AL: 1-800-737-2112.**

**Al ponerse en contacto con Departamento de servicio técnico,  
prepare:**

- Su nombre
- Su dirección
- Su número de teléfono

- El número del modelo del producto
- La fecha de compra (incluyendo una copia del recibo para requisitos escritos).

## Garantía

• **Conserve todas las instrucciones**

### **A** **Garantía limitada de la BORDEADORA Powermate® PARA CÉSPED**

Al contactar la fábrica, siempre especificar el número del modelo.

Nos reservamos el derecho de enmendar estas especificaciones en cualquier momento y sin aviso previo. La única garantía pertinente es nuestra garantía estándar por escrito. No ofrecemos ninguna otra garantía, expresa o implícita. MAT Engine Technologies, LLC garantiza que esta Bordeadora para césped y todas las piezas de la misma, carecerán de defectos en materiales y mano de obra durante dos años (90 días para uso comercial o para unidades reacondicionadas) a partir de la fecha de compra original en un concesionario autorizado, siempre y cuando se haya dado mantenimiento adecuado al producto y se lo haya operado de conformidad con todas las instrucciones pertinentes. Se extiende esta garantía únicamente al comprador al por menor original. Se ha de presentar el contrato de venta o prueba de compra al efectuarse una reclamación bajo esta garantía. Esta garantía no cubre uso comercial, industrial o de alquiler, y asimismo, no es pertinente a piezas que no estén en su condición original debido a desgaste normal o piezas que fallan o sufren averías como resultado de uso indebido, accidente, falta de mantenimiento apropiado, manipulación imprudente y peligrosa, o alteración. Los costos de viaje, manipulación, transporte e incidentales asociados con reparaciones bajo garantía no son reembolsables bajo esta garantía y son responsabilidad del propietario. Hasta donde lo permita la ley de la jurisdicción que gobierne la venta de este producto, esta garantía expresa excluye cualesquier y toda otra garantía expresa y limita la duración de cualesquier y toda garantías implícitas, incluyendo las garantías de comerciabilidad e idoneidad para un propósito específico durante dos años a partir de la fecha de compra original, y por la presente, se limita la responsabilidad de MAT Engine Technologies, LLC al precio de compra del producto y MAT Engine Technologies, LLC no será responsable por ningún otro daño en lo absoluto, incluyendo daños incidentales o emergentes. Algunos estados no permiten limitaciones sobre la duración de una garantía implícita, ni la exclusión o limitación de los daños emergentes, por lo cual la limitación de daños anterior podría no ser pertinente en algunos casos. Esta garantía brinda al comprador original derechos jurídicos específicos.

Para obtener información sobre esos derechos, por favor consultar las leyes estatales pertinentes.

**Sede de METL - SÓLO CORRESPONDENCIA**

**Atención: Servicio Técnico - METL**

**6700 Wildlife Way**

**Long Grove, IL 60047**



## **Garantía** (la siguiente)

• **Conserve todas las instrucciones**

### **B** **Garantía del sistema pro control de emisiones contaminantes**

Este motor de **MAT Engine Technologies, LLC (METL, por sus siglas en inglés)** para equipo mecánico para espacios exteriores cumple el reglamento sobre emisiones contaminantes de Agencia de Protección Ambiental de Estados Unidos ("U.S. EPA", por sus siglas en inglés) y el Estado de California.

En la medida que haya conflicto alguno entre esta Garantía pro control de emisiones contaminantes y la garantía del fabricante del equipo, prevalecerá la presente Garantía pro control de emisiones contaminantes, excepto cuando la garantía del fabricante pudiera brindar un período de garantía más prolongado. Por favor léanse cuidadosamente los derechos y obligaciones del propietario al amparo de esta garantía. Es posible que algunas secciones de la garantía no sean pertinentes al modelo específico que se haya adquirido. A menos que se haga notar específicamente lo contrario, los términos de la Garantía pro control de emisiones contaminantes serán pertinentes a todos los motores de productos cubiertos en este manual.

#### **Derechos y obligaciones al amparo de la garantía:**

La California Air Resources Board (Junta de Recursos del Aire de California), la Agencia de Protección Ambiental de Estados Unidos y **MAT Engine Technologies, LLC** se complacen en explicar la Garantía del sistema pro control de emisiones contaminantes de este nuevo motor de equipo mecánico para espacios exteriores.

##### **California**

En California, se han de diseñar, construir y equipar los nuevos motores pequeños para uso no vial de encendido por chispa para cumplir las estrictas normas antismog del Estado.

##### **Otros Estados o territorios de los Estados Unidos**

En otras áreas de los Estados Unidos, se ha de diseñar, construir y equipar este motor a fin de que cumpla las normas de la U.S. EPA sobre emisiones contaminantes de motores de encendido por chispa de 19 kilovatios o menos.

##### **En todos los Estados Unidos**

**MAT Engine Technologies, LLC (METL)** ha de garantizar el sistema de control de emisiones contaminantes del motor para equipo mecánico durante los períodos de tiempo que figuran a continuación, siempre y cuando no haya habido uso indebido, descuido o mantenimiento inadecuado del motor para equipo mecánico. Cuando exista una condición garantizable, **METL** reparará el motor para equipo mecánico sin costo alguno para el propietario, incluyendo el diagnóstico, las piezas y la mano de obra.

#### **Cobertura de la garantía del fabricante:**

El sistema de control de emisiones contaminantes está garantizado durante dos años. Si alguna pieza del motor relacionada con emisiones contaminantes es defectuosa, **METL** reparará o reemplazará dicha pieza.

##### **Responsabilidades del propietario de la garantía:**

Como propietario del motor para equipo mecánico, el consumidor es responsable por llevar a cabo el mantenimiento necesario enumerado en el manual del propietario. **METL** recomienda al propietario guardar todos los recibos que cubran el mantenimiento del motor para equipo mecánico, pero **METL** no puede negar la garantía exclusivamente por la falta de recibos o por no asegurarse el propietario de que se efectuara todo el mantenimiento programado.

Como propietario del motor para equipo mecánico, no obstante, el consumidor debe estar conciente de que **METL** podría negar la cobertura de la garantía si el motor para equipo mecánico o una pieza del mismo ha fallado por uso indebido, descuido, mantenimiento inadecuado o modificaciones no autorizadas.

Es responsabilidad del propietario presentar el motor para equipo mecánico a un centro de distribución o centro de servicio autorizado por **METL** tan pronto exista un problema. Se deben completar las reparaciones bajo garantía en un período de tiempo razonable que no exceda de 30 días.

Si se tiene alguna pregunta sobre los derechos y responsabilidades del propietario al amparo de esta garantía, ponerse en contacto con.

MAT Engine Technologies, Inc.  
6700 Wildlife Way  
Long Grove, IL 60047  
Tel: 1-800-737-2112

# Garantía (la siguiente)

• Conserve todas las instrucciones

## Cobertura de la garantía:

**METL** garantiza que el motor del producto carece de defectos en materiales y mano de obra que causen que dicho motor no observe las normas de la U.S. EPA o el Estado de California sobre emisiones contaminantes de motores pequeños para uso no vial y encendido por chispa, según sea pertinente al producto de **METL**. Los motores pequeños para uso no vial y encendido por chispa fabricados después del 1 de enero de 1995 y vendidos en el Estado de California y los motores pequeños para uso no vial y encendido por chispa certificados por la U.S. EPA, fabricados en el modelo del año 1997 ó más reciente y vendido en todos los Estados Unidos, están cubiertos por esta Garantía del sistema pro control de emisiones contaminantes durante un período de dos años a partir de la fecha de entrega al comprador original. Esta Garantía del sistema pro control de emisiones contaminantes es transferible a cada comprador subsiguiente durante el plazo del período de garantía. Las reparaciones o reemplazos al amparo de la presente Garantía del sistema pro control de emisiones contaminantes se efectuarán sin recargo alguno en concepto de diagnóstico, piezas o mano de obra. La lista de las piezas garantizadas figura a continuación. Los artículos para mantenimiento normal, tales como bujías, filtros de aire y filtros de combustible que están incluidos en la lista de piezas garantizadas, gozan de garantía únicamente hasta el primer intervalo de reemplazo programado para dicho artículo, como se estipula en el Manual del usuario. Toda pieza del sistema pro control de emisiones contaminantes reparada o reemplazada al amparo de la Garantía del sistema pro control de emisiones contaminantes estará garantizada durante el resto del período de garantía pertinente. Asimismo, **METL** reparará o reemplazará otros componentes del motor dañados por el fallo de cualquier pieza cubierta por la Garantía del sistema pro control de emisiones contaminantes durante el período de la Garantía del sistema pro control de emisiones contaminantes. En toda reparación o reemplazo al amparo de la Garantía del sistema pro control de emisiones contaminantes solo se pueden utilizar piezas autorizadas y aprobadas por **METL**; éstas serán provistas sin costo alguno al propietario. No se podrán utilizar piezas no aprobadas, adicionales, modificadas, falsificadas, y/o del “mercado gris” para modificar o reparar el motor **METL**. Si se ha utilizado alguna de dichas piezas en la reparación o mantenimiento del motor, y un Centro de servicio autorizado por **METL** determina que dicha pieza es defectuosa o causa el fallo de una pieza cubierta por la Garantía del sistema pro control de emisiones contaminantes, la reclamación para reparación del motor o producto podría declararse nula y sin efecto. **METL** no asumirá responsabilidad alguna, bajo la presente garantía, por fallos de toda pieza garantizada causados por el uso de dicha pieza no aprobada, adicional, modificada, falsificada y/o del “mercado gris”.

## Cómo obtener servicio de garantía:

El propietario ha de llevar el motor para equipo mecánico o el producto en el cual está instalado, junto con la evidencia de la fecha de venta al comprador original, por cuenta del propietario, a cualquier Centro de servicio autorizado por **METL** durante sus horas hábiles normales. Para ubicar el Centro de servicio autorizado por **METL** más cercano, llamar al (800) 737-2112. El propietario del producto será responsable por cualesquier gastos o recargos incurridos por llamadas de servicio o transporte del producto o motor del equipo hacia y desde el Centro de servicio autorizado por **METL**, incluyendo cualesquier y todo daño o pérdida incurrido durante dicho transporte o envío.

## Exclusiones:

Todo fallo ajeno a aquellos resultantes de defectos en materiales o mano de obra no está cubierto por esta Garantía del sistema pro control de emisiones contaminantes. Esta Garantía del sistema pro control de emisiones contaminantes no se extiende a los sistemas de control de emisiones ni a piezas afectadas o dañadas por uso indebido, descuido, mantenimiento inadecuado, uso inadecuado, abastecimiento de combustible inadecuado, almacenamiento inadecuado, accidente y/o colisión, la incorporación o cualquier uso de toda pieza no aprobada, adicional, modificada, del “mercado gris” o falsificadas, accesorios inadecuados, o la alteración no autorizada de cualquier pieza, por parte del propietario. Esta Garantía del sistema pro control de las emisiones contaminantes no cubre el reemplazo periódico de los artículos de mantenimiento normal efectuado en conexión con los servicios de mantenimiento necesarios, posteriormente al primer reemplazo programado de dichos artículos, como se estipula en el Manual del usuario (p. ej., bujías, filtros de aire, filtros de combustible, etc.).

## Limitación de responsabilidad:

**METL** declina toda responsabilidad por pérdida de tiempo o del uso del motor o del equipo en que el motor está instalado, transporte, pérdidas comerciales, o cualquier otro daño incidental o emergente. Toda garantía implícita está limitada a la duración de esta garantía limitada por escrito. Algunos Estados no permiten limitaciones sobre la duración de una garantía implícita y/o no permiten la exclusión o limitación de los daños incidentales o emergentes, por lo cual las exclusiones y limitaciones de daños anteriores podrían no ser pertinentes en algunos casos.

Esta garantía brinda al consumidor derechos jurídicos específicos y, asimismo, es posible que el consumidor tenga otros derechos que varían de un estado a otro.

# Garantía (la siguiente)

- Conserve todas las instrucciones

## Limitación de responsabilidad:

<b>SISTEMAS CUBIERTOS POR ESTA GARANTÍA:</b>	<b>DESCRIPCIÓN DE LAS PIEZAS:</b>
Sistema de medida del combustible	Unidad del carburador (si está provisto) y sus componentes internos; filtro de combustible (si está provisto), empaques del carburador, bomba del combustible (si está provista)
Sistema de inducción de aire	Tubo / múltiple de admisión, limpiador de aire
Sistema de ignición	Bujía <sup>1</sup> , módulo / bobina de encendido
Sistema de escape	Unidad de silenciador catalítico (si está provisto), empaque del silenciador, múltiple de escape
Unidad del respirador del cárter del cigüeñal	Tubo de conexión de respirador
Piezas misceláneas utilizadas en los sistemas anteriores	Mangueras, fajas, conectores y montajes
Componentes de emisiones contaminantes evaporativas <sup>2</sup>	Tubería para combustible, accesorios de tubería para combustible, abrazaderas, tanque de combustible, soportes para montaje de recipientes, conector de puerto de purga del carburador
<sup>1</sup> Cubierta únicamente hasta el primer reemplazo necesario. Véase el Programa de mantenimiento	
<sup>2</sup> Según sean pertinentes a las certificaciones de emisiones contaminantes del motor del producto	